



Zebra Certified Supplies for Maximum Quality, Consistency and Accuracy



HEALTHCARE



MANUFACTURING



RETAIL



TRANSPORTATION
AND LOGISTICS



Contents

Why Zebra Certified Supplies 3



Healthcare 4

Why Legible, Easy-to-Scan Wristbands and Labels Matter	5
Zebra Healthcare Supplies at a Glance	6
Positive Patient ID	
LaserBand® 2 Advanced	7
Z-Band® UltraSoft	8
Phlebotomy Specimen Collection Label	
IQ Color 2000D	9
8000D	10
Laboratory Label	
Z-Xtreme 5000T with Image Lock Ribbon	11
Z-Select™ 4000D	12
Blood Bank	
8000T Primary Blood Bag	13



Manufacturing 14

Why Legible, Easy-to-Scan Labels and Tags Matter	15
Zebra Manufacturing Supplies at a Glance	16
Product ID	
Z-Ultimate® 2000T	17
PolyPro™ 3000T	18
RFID Labeling for Metal	
Silverline	19
Silverline Blade II	20
ZBR4100	21
Component ID	
Z-Ultimate 2000T	22
Work-in-Process Tag	
Z-Select 4000T 7.5 mil Paper Tag	23
Shipping	
IQ Color Shipping Label	24



Retail 25

Why Legible, Easy-to-Scan Supplies Matter	26
Zebra Retail Supplies at a Glance	27
Price/Product	
Z-Perform™ 1000D 5.3 mil Tag	28
IQ Color 2000D	29
Z-Perform 2000D	30
Price/Shelf	
RFID/BoingTech BT793	31
PolyPro 4000D	32
Z-Perform 1000D Shelf Tags	33
Z-Perform 1000D Markdown Price Tag	34
Mobile Point of Sale	
Z-Perform 1000D Receipt with Backprinting	35
Distribution	
IQ Color 2000D	36
Z-Slip	37



Transportation and Logistics 38

Why Legible, Easy-to-Scan Supplies Matter	39
Zebra Transportation and Logistics Supplies at a Glance	40
Shipping/Receiving	
Z-Slip	41
Z-Perform 1000D Receipt	42
IQ Color 2000D	43
Inventory Management	
ThermaLock™ 4100D	44
ZBR2100 Inlay	45
Cross-Docking	
IQ Color 2000	46

Why Zebra Certified Supplies

Print Confident. Print Quality. Print Zebra.



We sift through thousands of available media options



Our R&D experts select, convert and rigorously test all materials



We certify only those offering the best thermal printing performance



We never substitute raw materials so our customers get consistent quality

Benefits of Printing with Zebra Certified Supplies

Printer Uptime

No supply-related downtime

Workforce Productivity

Increased worker and process efficiency

Customer Service Quality

No delays related to printer supplies

TCO

Reduced capital, operational, maintenance and troubleshooting costs



HEALTHCARE

MANUFACTURING

RETAIL

TRANSPORTATION AND LOGISTICS



Key Zebra Certified Supplies for Healthcare

Print Confident.
Print Quality.
Print Zebra.



HEALTHCARE



MANUFACTURING

RETAIL

TRANSPORTATION
AND LOGISTICS



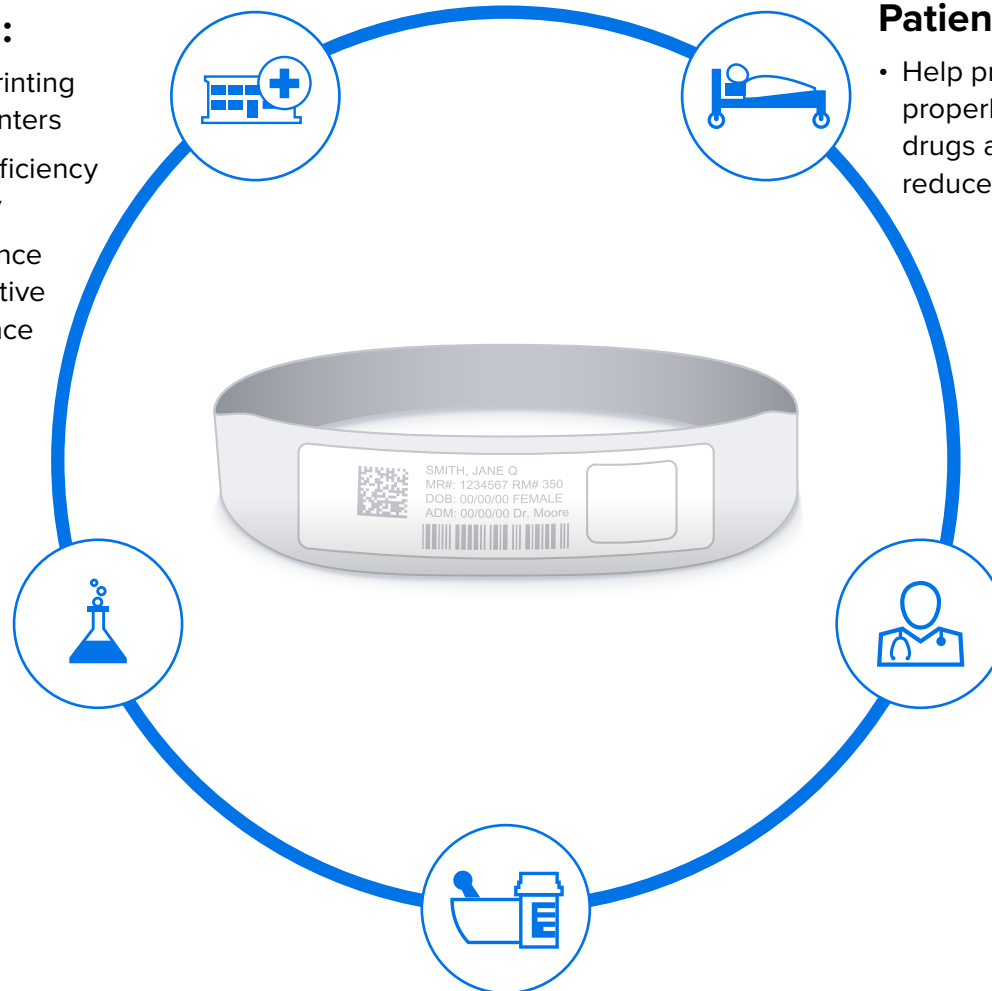
Why Legible, Easy-to-Scan Wristbands and Labels Matter

Organization:

- Lower TCO of printing supplies and printers
- Increase staff efficiency and productivity
- Elevate compliance and ensure positive patient experience

Laboratory:

- Forgo misdiagnosis and inappropriate treatment with accurate sample identification and reports
- Eliminate the costly need to recollect the sample, redo tests and reprint labels



Patient:

- Help protect patients' rights by properly identifying patients, drugs and specimens to reduce the risk of errors

Clinician:

- Ensure the five patient rights—right patient, right drug, right dosage, right method, right time

Pharmacy:

- Reduce the risk of picking the wrong drug and/or dosage





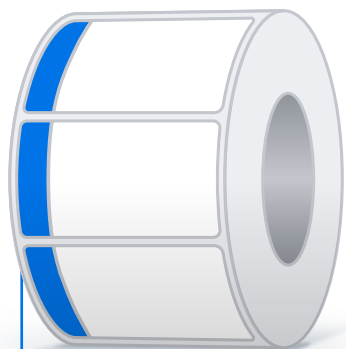
Zebra Healthcare Supplies at a Glance



Positive Patient ID

- LaserBand® 2 Advanced
- Z-Band® UltraSoft

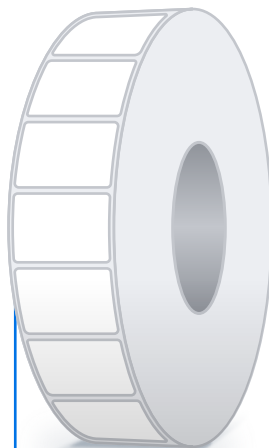
PAGES 7-8



Phlebotomy Specimen Collection Label

- IQ Color 2000D
- 8000D Label

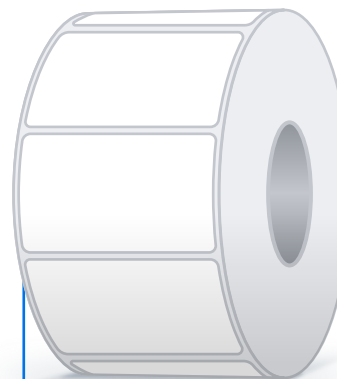
PAGES 9-10



Laboratory Label

- Z-Xtreme 5000T with Image Lock Ribbon

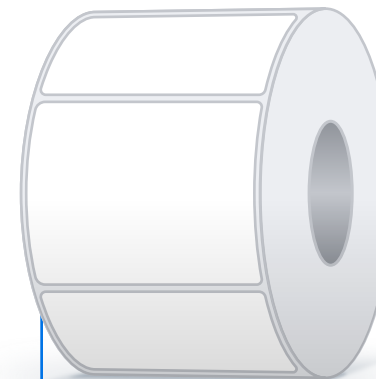
PAGE 11



Pharmacy Label

- Z-Select™ 4000D

PAGE 12



Blood Bank

- 8000T Primary Blood Bag

PAGE 13



LaserBand[®] 2 Advanced

Patient Identification Wristband



Application:

- Accurately identify patients from admission to discharge



Challenges:

- **Safety and Inefficiency:** Barcodes that fail to scan jeopardize patient safety and staff productivity
- **Hand Sanitizer Resistance:** Bands need to withstand hand sanitizers
- **Legibility:** They must be readable even after multiple days of continuous wear
- **Comfort:** The band should not irritate a patient



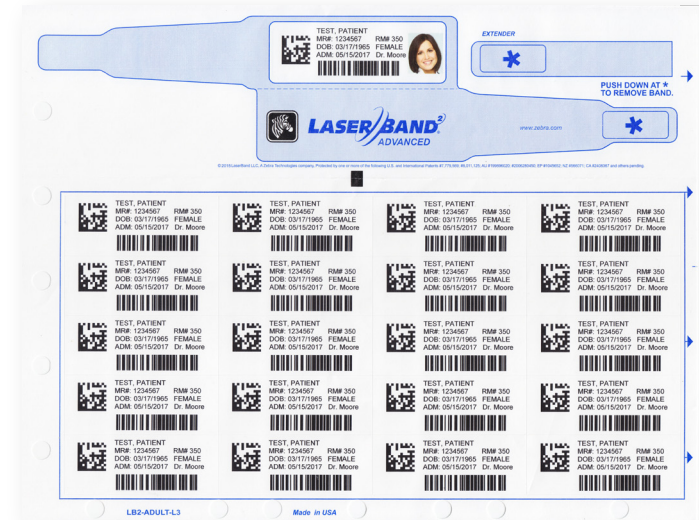
How Zebra Adds Value:

- **No Extra Hardware Needed:** Zebra's self-laminating wristbands and labels can be printed on one sheet, utilizing existing laser printers
- **Preserves Patient Data Longer:** Proprietary self-laminating seal protects the wristband from moisture and hand-sanitizers



Key Features:

- Lays flat on the wrist for quick scanning
- Easy to assemble
- Available in multiple sizes and colors, including a labor and delivery format
- Latex-free
- Compatible with standard laser printers



Z-Band® UltraSoft

Patient Identification Wristband



Application:

- Accurately identify patients from admission to discharge



Challenges:

- **Safety and Inefficiency:** Barcodes that fail to scan jeopardize patient safety and staff productivity
- **Hand Sanitizer Resistance:** Bands need to withstand hand sanitizers
- **Legibility:** They must be readable even after multiple days of continuous wear
- **Comfort:** The band should not irritate a patient



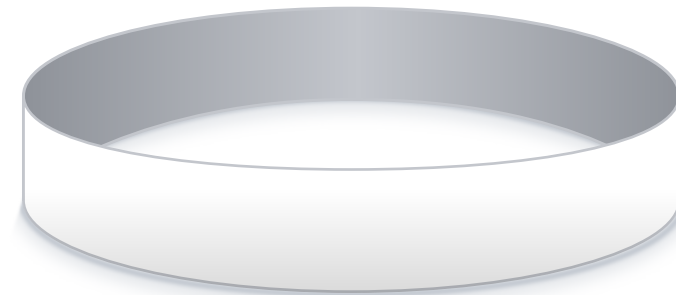
How Zebra Adds Value:

- **Softest Wristband:** Z-Band UltraSoft is the softest direct thermal printable wristband on the market
- **For Delicate Skin:** It was developed specifically for delicate skin
- **Superior Comfort:** This flexible synthetic material has a soft feel
- **Durable:** Tested to ensure optimum image durability and scanning performance



Key Features:

- A silver antimicrobial coating protects the wristband
- Scannable for up to 14 days
- Easy to print and secure in 60 seconds or less using an adhesive tab or clip
- MR-safe (metal-free) and latex-free
- Available in adult, pediatric and infant sizes
- Compatible with Zebra HC100 healthcare printers or Zebra desktop and industrial printers



IQ Color 2000D

Phlebotomy Specimen Collection Label



Application:

- Accurately label and identify specimens



Challenges:

- **Inefficiency:** Untimely lab results lead to the need to redraw samples or delays in providing results to physicians
- **Expense:** Misidentification errors are estimated to cost the industry \$200M to \$400M/year
- **Error-Prone:** Currently identify STAT specimens by manually indicating with a red marker



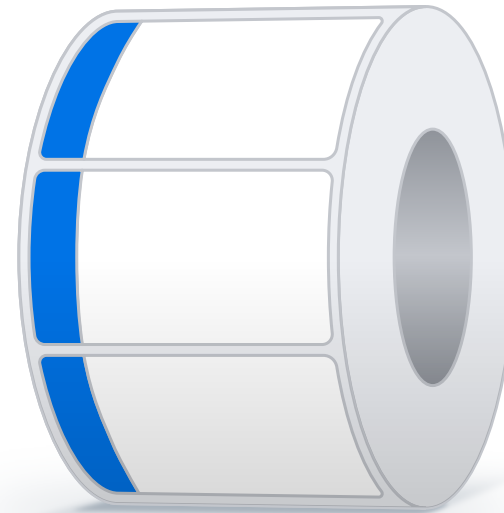
How Zebra Adds Value:

- **Less Risk:** Unique solution allows on-demand identification of STAT specimen, reducing the chance of errors with automated at-a-glance color cues



Key Features:

- Print STAT color indicator on demand
- Meets Clinical Laboratory Standards Institute (CLSI) specimen collection label format standards
- Innovative IQ Color uses invisible, direct thermal ink technology
- The printhead's heat activates the invisible ink, allowing you to select the colors you want to make visible
- Tested and compatible with all Zebra desktop and mobile printers



8000D

Laboratory Paper Label



Application:

- Labeling of curved surfaces such as: test tubes, vials, syringes



Challenges:

- **Compliance:** Adhesive must meet FDA 175.105 requirements
- **Durability:** If a vial or test tube label becomes unreadable or falls off, it can cause a sample identification error that can lead to a dangerous, adverse event



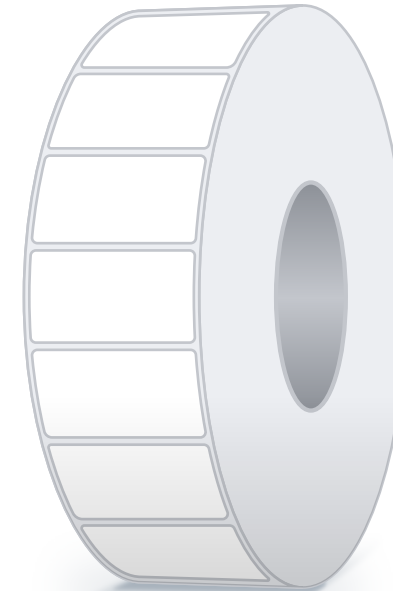
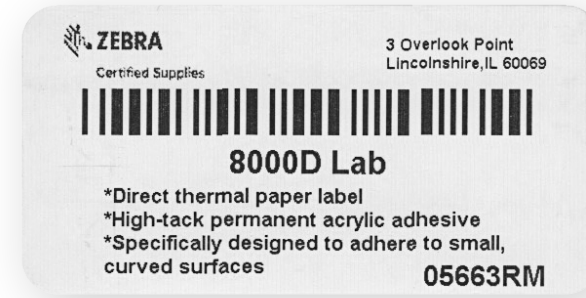
How Zebra Adds Value:

- **Error Prevention:** Ensures correct identification of test and patient
- **Time and Cost Savings:** Avoids the need for resampling or retesting



Key Features:

- Direct thermal, premium, ultra-smooth paper label with a high-tack permanent acrylic adhesive
- Excellent print quality and mandrel hold
- Meets FDA 175.105 for indirect food contact requirement
- Glove-friendly on adhesive
- Available in white (05663RM)



Z-Xtreme 5000T with Image Lock Ribbon

Laboratory Label



Application:

- Identification of samples on laboratory slides



Challenges:

- **Durability:** If a slide label becomes unreadable, unscannable or falls off during testing, it can cause a sample identification error that can lead to an adverse event, retesting, redraws or additional treatment
- **Real Estate:** Label size has to accommodate all the pertinent information



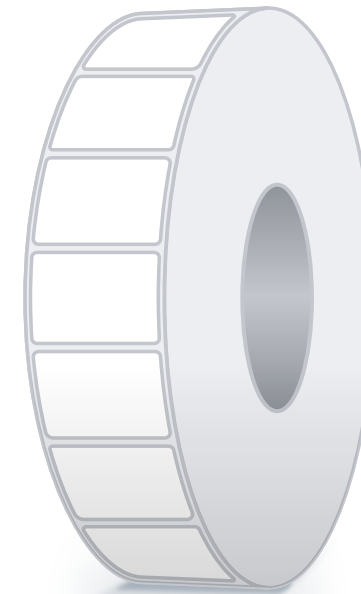
How Zebra Adds Value:

- **Durable:** Designed to withstand the most common stains and chemicals found in laboratories, ensuring that the label remains readable and scannable during the test process
- **Error Prevention:** Ensures accurate identification so results are delivered to the right patient
- **Efficiency:** Avoids the need for resampling and retesting



Key Features:

- Excellent durability and resistance to chemical solvents, including Xylene
- Compatible with Zebra industrial and desktop printers



Z-Select™ 4000D

Pharmacy Label



Application:

- Labeling drug orders from hospital pharmacies



Challenges:

- **Legibility:** Proper drug administration relies on the readability of a label
- **Safety:** A label that's easy to scan helps ensure five patient rights
- **Moisture:** Needs to resist spills



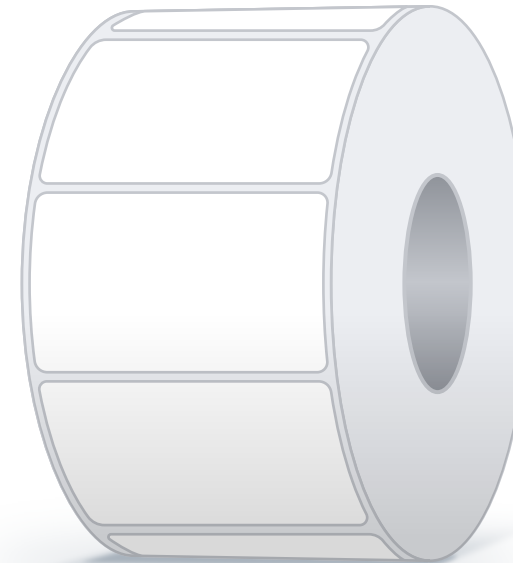
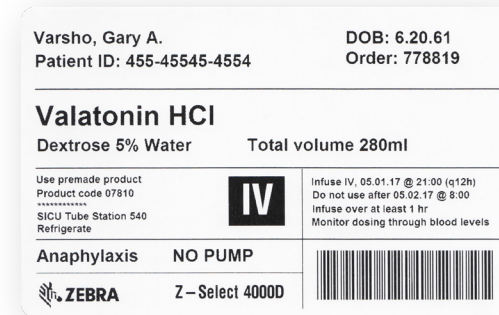
How Zebra Adds Value:

- **Legibility and Readability:** Ensure patient safety and efficient drug administration
- Moisture-resistant topcoat



Key Features:

- Pretested with Zebra printers to ensure readability and quality printing
- Pretested to ensure image durability in a pharmacy setting
- Compatible with Zebra desktop, industrial and mobile printers



8000T Primary Blood Bag

Blood Bag Labeling



Application:

- Properly identify blood and IV bags



Challenges:

- **Risk:** Misidentified blood and medications create a serious risk to patient safety
- **Compliance:** Adhesive must meet FDA 175.105 requirements



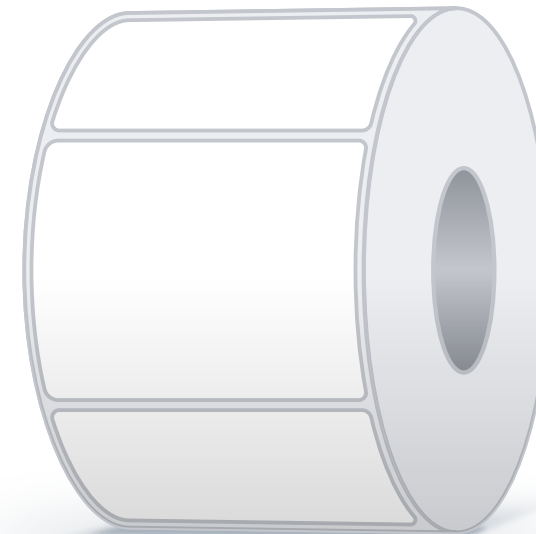
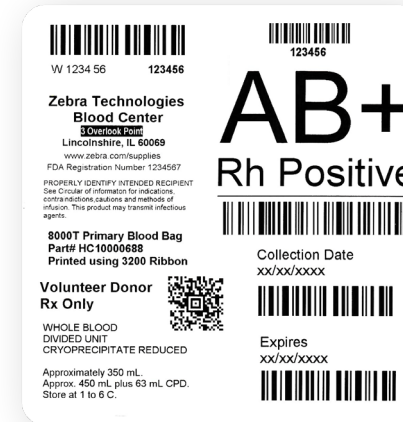
How Zebra Adds Value:

- Specialty material that has been tested to meet the requirements for FDA 175.105 (indirect food labeling)
- Customizable to blood bag labeling size requirements



Key Features:

- Adhesive performance between -40°C and 120°C
- Resistance to chemicals, alcohol, blood and water
- Meets ISBT 128 guidelines for uniform labeling of blood and blood components
- Compatible with Zebra desktop and industrial printers





Key Zebra Certified Supplies for Manufacturing

Print Confident.
Print Quality.
Print Zebra.



HEALTHCARE

MANUFACTURING



RETAIL

TRANSPORTATION
AND LOGISTICS



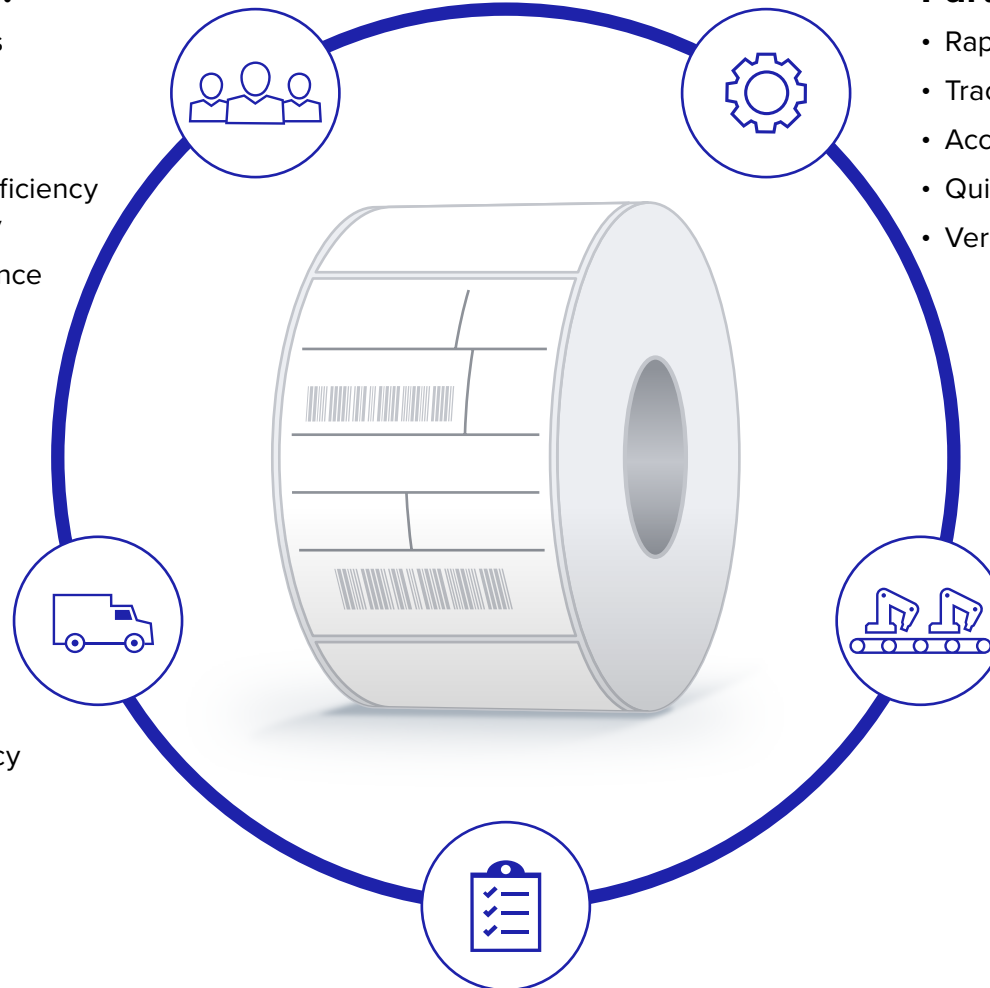
Why Legible, Easy-to-Scan Labels and Tags Matter

Organization:

- Lower expenses
- Avoid downtime
- Improve quality
- Increase staff efficiency and productivity
- Elevate compliance

Shipping:

- Order picking and staging for accurate distribution
- Ensure timely shipping
- Expedite delivery and sales
- Improve service with accuracy



Parts Management:

- Rapidly identify raw materials
- Track origin and product details
- Accurately manage inventory
- Quickly locate recalled items
- Verify specifications

Production:

- Pick and stage parts
- Track the assembly of products to remain fast and lean
- Identify bottlenecks to reduce downtime
- Validate inspections to maintain quality
- Ensure compliance with international and national standards
- Identify finished products

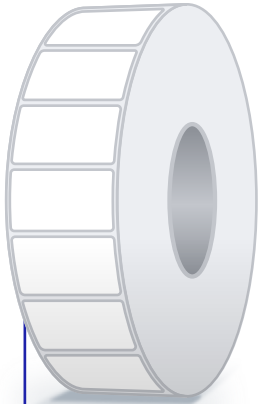
Asset Tracking:

- Know the location of your assets





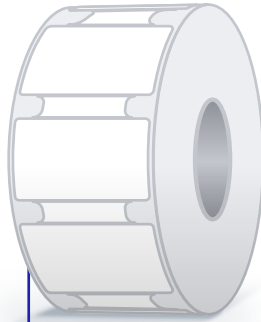
Zebra Manufacturing Supplies at a Glance



Product ID

- Z-Ultimate® 2000T
- Poly-Pro™ 3000T

PAGES 17-18



RFID Labeling

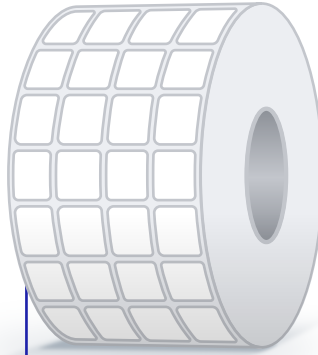
For Metal

- Silverline
- Silver Blade II

Advanced RFID Inlay

- ZBR4100

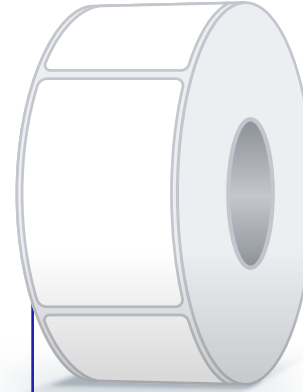
PAGES 19-21



Component ID

- Micro Label–
Z-Ultimate 2000T

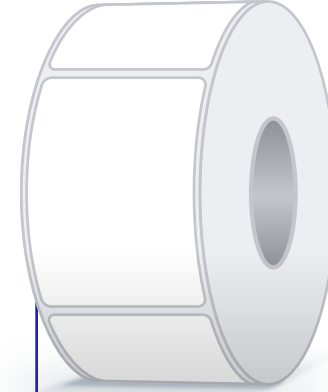
PAGE 22



Work-in-Process Tag

- Z-Select 4000T
(7.5 mil Paper Tag)

PAGE 23



Shipping

- IQ Color
Shipping Label

PAGE 24



Z-Ultimate[®] 2000T

Product ID (UID and General) Label



Application:

- Product identification labeling



Challenges:

- Long-term identification of manufactured items
- **Exposure:**
 - Chemicals
 - Abrasion
 - Outdoor elements or manufacturing environments with uncontrolled climate and a wide temperature range



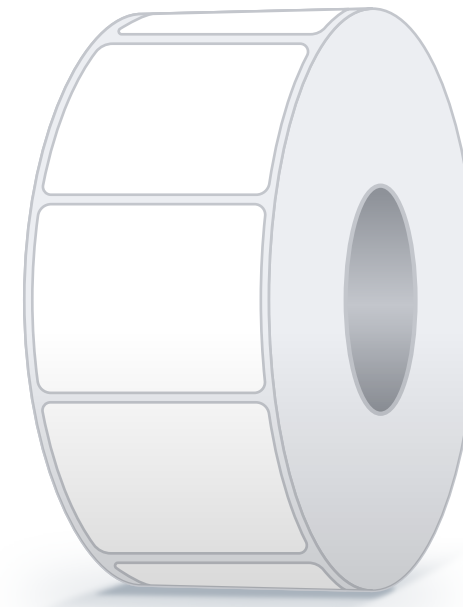
How Zebra Adds Value:

- **Value:** Best ROI for asset labeling with gloss finish
- **Flexibility:** Can be fan-folded, unlike many synthetic labels, for ease of stacking larger quantities of labels, minimizing the time to change media
- **Customizable:** Custom sizes and color pre-printing solutions available to meet your unique needs



Key Features:

- UL-compliant
- Excellent durability; withstands weak, moderate and some harsh chemicals and scratches
- Lasts up to 3 years outdoors
- Temperature exposure up to 300°F (150°C)
- Compatible with Zebra industrial and desktop printers



Poly-Pro 3000T

Product ID (UID and General) Label



Application:

- Product identification labeling



Challenges:

- **Resistance:** Identification of products must endure some abrasion and weak to moderate chemicals
- **Longevity:** Outdoor storage for 1 to 2 years



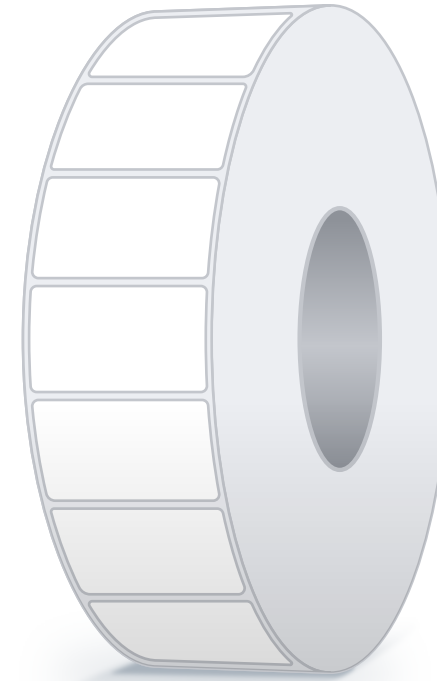
How Zebra Adds Value:

- **Customizable:** Meets your unique needs with multiple sizes and colors, including pre-printed graphics and floodcoating



Key Features:

- Available in gloss and matte finish
- Minimal resistance to scratching and smearing
- Resistant to weak and moderate chemicals
- Flexibility for labeling curved or irregular surfaces
- Lasts between 1 to 2 years outdoors
- Temperature exposure 250°F (121°C)
- Meets FDA 175.105 indirect food contact requirements
- Compatible with Zebra desktop and industrial printers



Silverline

On-Metal RFID Labeling



Application:

- RFID asset tagging for metal and liquid-filled containers



Challenges:

- **Illegibility:** RFID read range deteriorates when a traditional RFID label is applied on a metal surface or liquid-filled item
- **Lack of Visibility:** Assets whose barcodes are difficult to read cannot easily be tracked



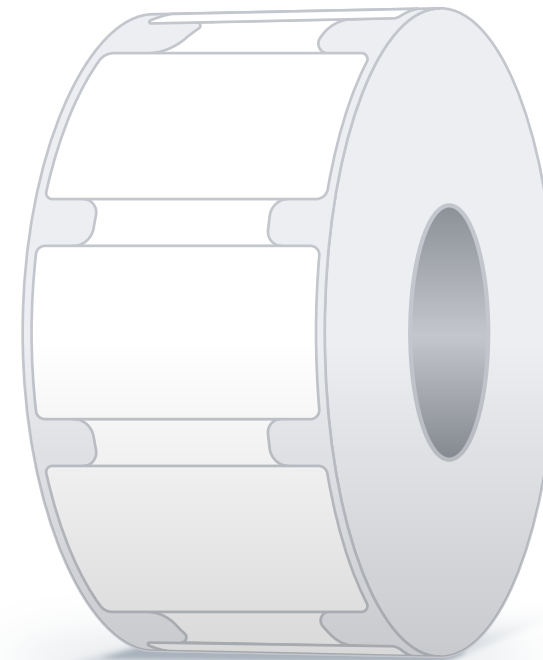
How Zebra Adds Value:

- **Effective:** Designed to increase read range
- **Accurate:** Optimized for Zebra printers, these labels ensure high accuracy



Key Features:

- Works on difficult-to-read metal and liquid-filled containers
- Standard, slim and micro sizes available
- Read range up to 5 m
- Must be used with Zebra ZT410 printer



Confidex Silverline Blade II™

On Metal RFID Label Tag



Application:

- Ideal for asset tracking of chemical drums, mobile computers, printers, antennas, wheelchairs, IV pumps, automotive assets and more



Challenges:

- **Read Range:** Efficient read performance is needed for demanding tagging applications
- **Durability:** Manufacturing, automotive and healthcare assets, among others, often require heavy industrial washing



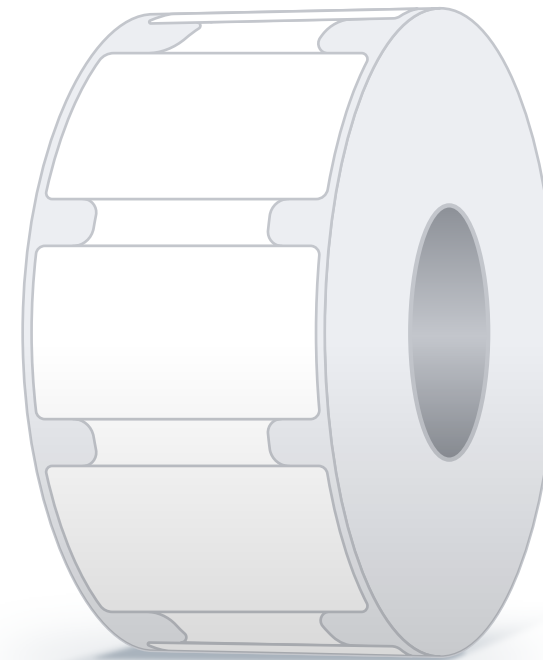
How Zebra Adds Value:

- **Versatility:** The new Impinj M730 IC increases this tag's versatility and improves read performance
- **Resistance:** IP68 rating provides water resistance and dust protection without the need for extra cases or covers



Key Features:

- IP68 rated; can be applied on a metal surface
- Printable, metal-mount label tag optimized for asset tagging
- Tolerates industrial washing with standard solvents
- New and more efficient Impinj M730 IC
- Reads distances up to 10 m (33 ft) on metal and 5 m (16 ft) on plastic surfaces



ZBR4100

Advanced RFID Inlay



Application:

- Manufacturing, T&L, healthcare and other industries' applications that require high read ranges



Challenges:

- **Read Range:** These applications require readings from different angles and at a considerable distance
- **Performance:** Inlays need to perform well with the printer and the readers to avoid data errors



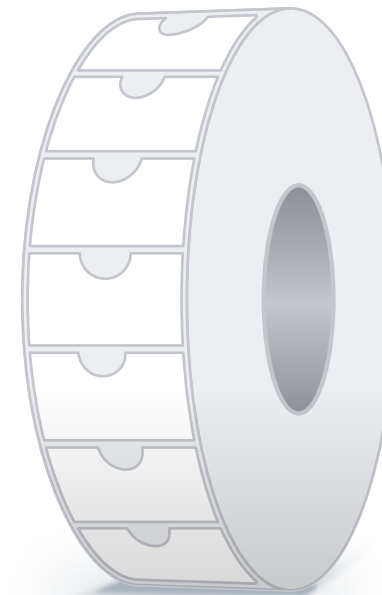
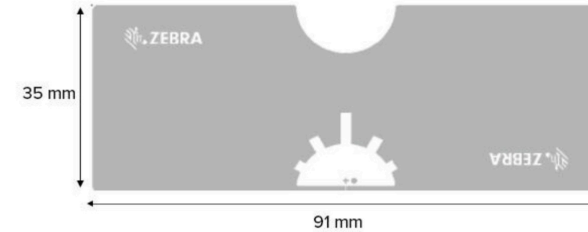
How Zebra Adds Value:

- **Error Prevention:** High read ranges help minimize errors in asset-related data
- **Real-Time Visibility:** Helps track, identify and maximize asset utilization
- **Proven Performance:** ZBR4100 inlays are designed and tested for optimal performance with Zebra printers and RFID readers



Key Features:

- Extreme high-sensitivity UCODE 9 chipset (EPC-96-bit, user N/A)
- Read range of up to 20 m in free space
- Optimized to be read from nearly any angle



Z-Ultimate[®] 2000T

Micro Label for Component ID



Application:

- Labeling of small parts or components in electronics



Challenges:

- **Shrinking Real Estate:** The smaller parts become, the more critical identification becomes
- **Expanding Supply Chain:** It's becoming harder to track the increasing volume of components that comprise each product
- **Theft and Fraud:** As parts become smaller, they become harder to identify if stolen
- **Global Regulations:** Labels have to comply with global and regional information mandates
- **Lack of Durability:** Labels must meet the growing number of stringent environmental and durability requirements
- **Inflexibility:** With more complex components, pre-printed labels may be the wrong size or shape



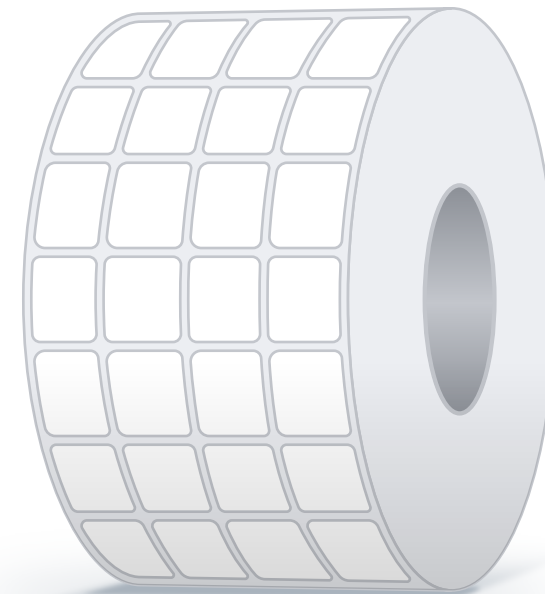
How Zebra Adds Value:

- **Precision:** Ensure each label is printed in the right location with our tight registration
- **High Resolution:** Optimize your real estate by printing smaller, denser barcodes and data in high contrast
- **Flexibility:** On-demand micro labels allow you to easily customize them for your needs
- **Durability:** Our micro labels are engineered to withstand extreme temperatures, harsh chemicals and rough surfaces



Key Features:

- Ability to manufacture small-sized labels
- Excellent durability, smear, scratch and chemical resistance
- Compatible with Xi and ZT600 printers



Z-Select 4000T— 7.5 mil tag

Work-in-process Tag



Application:

- Work-in-process tags to maintain visibility throughout the manufacturing process



Challenges:

- **Lack of Visibility:** A barcode that can't be scanned, can't be tracked throughout the entire process
- **Delays:** Without a means to track products, it is difficult to identify bottlenecks in the assembly line



How Zebra Adds Value:

- **Visibility:** Let Zebra help you identify the right material to maintain visibility into the manufacturing process
- Customizable to meet your needs



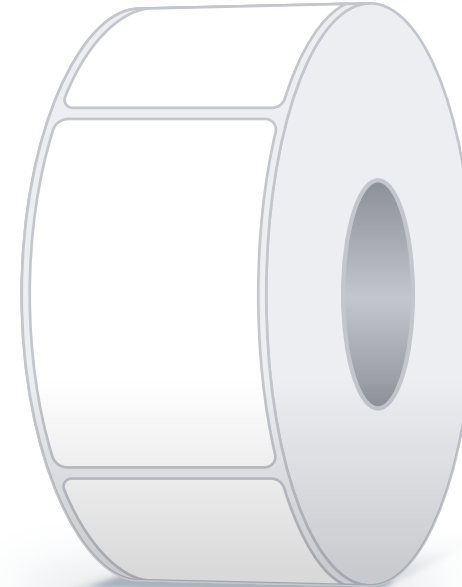
Key Features:

- Designed for indoor use
- A good value between performance and cost
- Pretested with Zebra printers to ensure printing quality and image longevity
- Compatible with Zebra industrial and desktop printers

Electronics Store XYZ

Order Number: 825616 Date: 5/4/2017
Packing Slip: ES6623 Time: 2:23:28 PM
Item Number: 30781
Description: Cradle, Ground
Receipt: 275592

Existing Locations:	Item: 30781
300 Mechline 	
2100 Warehouse: 	Location: Stage
1001 Fab Shop: 	Quantity: 6000
Z-Select 4000T 7mil Tag w/ 6000 wax ribbon	 www.zebra.com



IQ Color 2000D

Shipping Label



Application:

- Product identification labeling



Challenges:

- Long-term identification of manufactured items
- **Exposure:**
 - Chemicals
 - Abrasion
 - Outdoor elements or manufacturing environments with uncontrolled climate and a wide temperature range



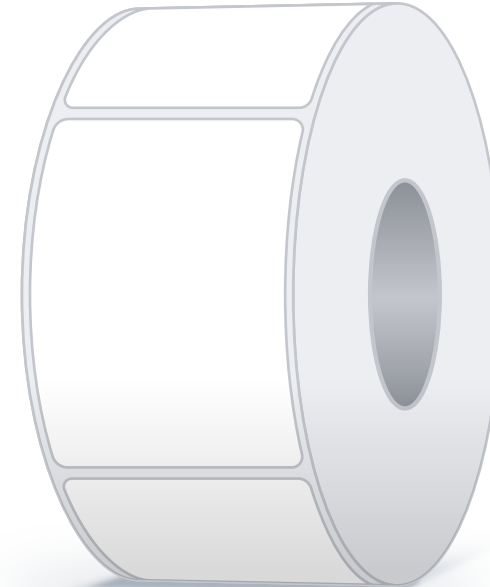
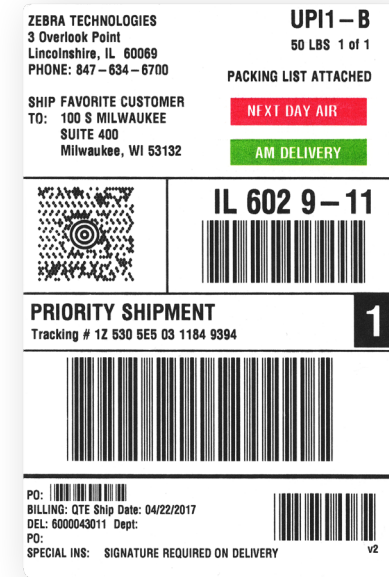
How Zebra Adds Value:

- **Value:** Best ROI for asset labeling with gloss finish
- **Flexibility:** Can be fan-folded, unlike many synthetic labels, for ease of stacking larger quantities of labels, minimizing the time to change media
- **Customizable:** Custom sizes and color pre-printing solutions available to meet your unique needs



Key Features:

- UL-compliant
- Excellent durability; withstands weak, moderate and some harsh chemicals and scratches
- Lasts up to 3 years outdoors
- Temperature exposure up to 300°F (150°C)
- Compatible with Zebra industrial and desktop printers





Key Zebra Certified Supplies for Retail

Print Confident.
Print Quality.
Print Zebra.



HEALTHCARE

MANUFACTURING

RETAIL



TRANSPORTATION
AND LOGISTICS



Why Legible, Easy-to-Scan Supplies Matter

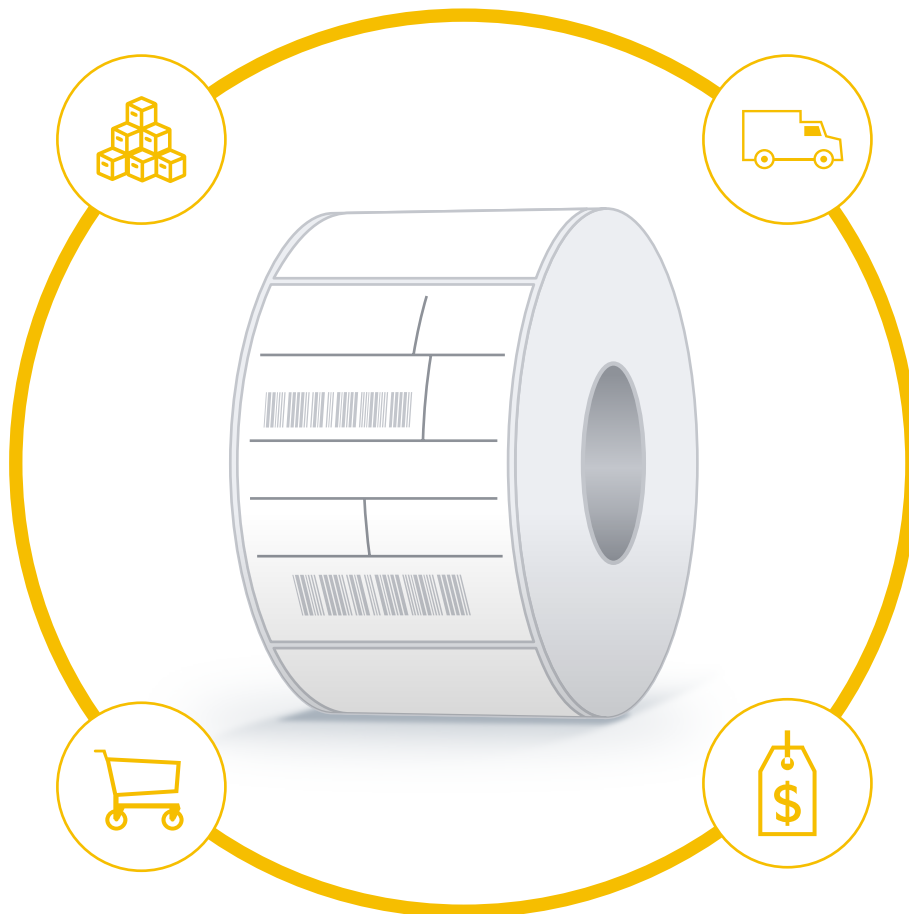
Stockroom:

- Help improve inventory accuracy for fewer out of stocks and overstocks



Distribution Center/ Courier:

- Minimize shipment and sorting errors
- Support on-time deliveries



Retailer:

- Lower supply and printer service costs
- Improve productivity and efficiency
- Increase pricing compliance



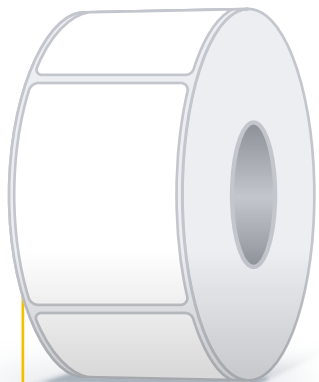
Sales Floor:

- Reduce risk of interrupting checkouts
- Expedite pricing updates
- Attract shoppers with markdowns visible from a distance
- Reinforce store brand with customized supplies
- Minimize IT troubleshooting
- Increases efficiency with first-time, every-time scanning





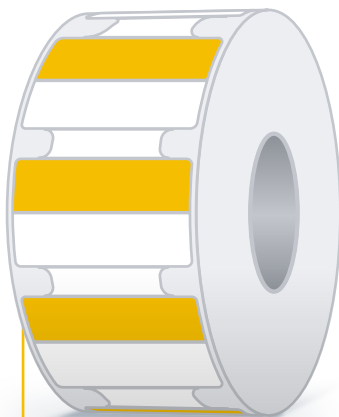
Zebra Retail Supplies at a Glance



Price/Product

- Z-Perform™ 1000D 5.3 mil Tag
- IQ Color 2000D
- Z-Perform 2000D

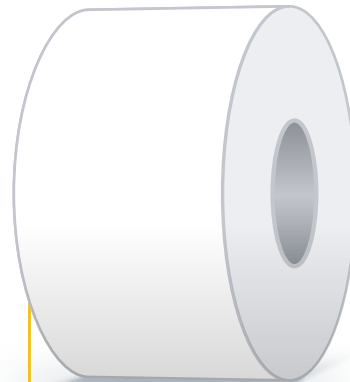
PAGES 28-30



Price/Shelf

- BoingTech BT793 RFID Inlay
- PolyPro 4000D
- Z-Perform 1000D Shelf Tags
- Z-Perform 1000D 5.3 Markdown Price Tags

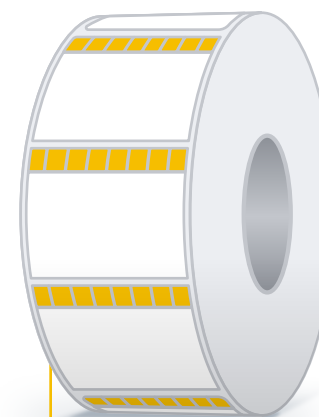
PAGES 31-34



Mobile Point of Sale

- Z-Perform 1000D Receipt with Backprinting

PAGE 35



Distribution

- IQ Color 2000D
- Z-Slip

PAGES 36-37



Z-Perform™ 1000D 5.3mil Tag

Hang Tag



Application:

- Price tag for consumer product



Challenges:

- **Customer Dissatisfaction:** Shoppers are not pleased when products are not priced
- **Brand Consistency:** Reinforce your store brand consistently on all products
- **Lack of Information:** Products are sometimes missing key information (size, price, etc.) that influences shoppers
- **Tag Quality:** Tags that are illegible for consumers and barcode readers cause problems



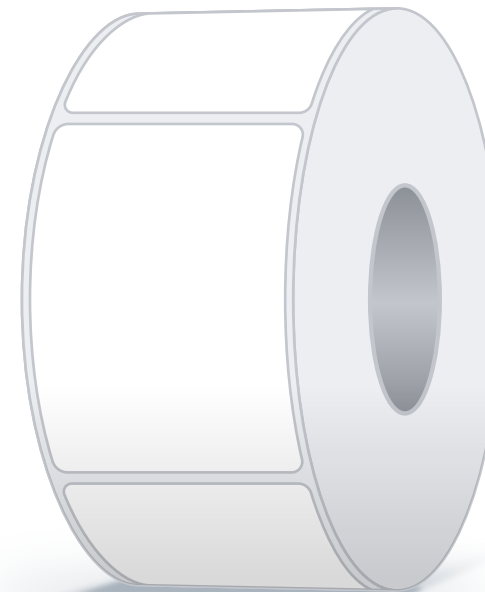
How Zebra Adds Value:

- **Branded:** Represent your brand in a positive light with customized, direct thermal hang tags
- **Customized:** Choose from precise PMS color matching and coverage/bleed options



Key Features:

- Pretested with Zebra printers to ensure quality, consistency and scanning reliability
- Customization options including tag size and color matching to support your brand image
- Compatible with Zebra desktop, industrial and most mobile printers



IQ Color 2000D

Markdown Label



Application:

- Indicate discount by using color on demand
- One supply to support multi-color discount strategy



Challenges:

- **Time Consuming:** Manual pricing is time-intensive and hard to keep current
- **Errors:** Price inaccuracy leads to customer dissatisfaction and inventory issues



How Zebra Adds Value:

- **Rapid Price Change:** Automate color-coding and price markdowns, using a single label, in support of your pricing strategy
- **Eye-Catching:** Get shoppers' attention with color, using one supply for multiple colors
- **Reduces Inventory:** No need to stock multiple colors of labels for repricing and markdowns
- **Accurate:** Dramatically increase pricing accuracy



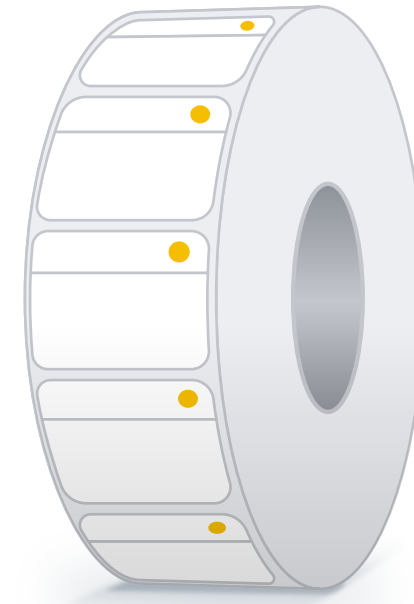
Key Features:

- Innovative IQ Color uses invisible, direct thermal ink technology
- The printhead's heat activates the invisible ink, allowing you to select the colors you want to make visible
- Zebra customizes this solution to allow color placement where you need it
- Can print text, reverse images, shapes and logos in color
- Compatible with all Zebra desktop, industrial and mobile printers

Use Case— Retailer



decrease
in the average
markdown
time per unit



Z-Perform™ 2000D

Markdown Label



Application:

- Direct thermal label for highlighting price markdown placed on a shelf, tag or item



Challenges:

- **Turnover:** Inventory that is slow to sell needs to be quickly reduced and promoted
- **Awareness:** Consumers need awareness of price markdown—even from a distance
- **Legibility:** Label must be legible for consumers and barcode readers
- **Fraud:** A self-destructive label deters shoppers switching prices on products



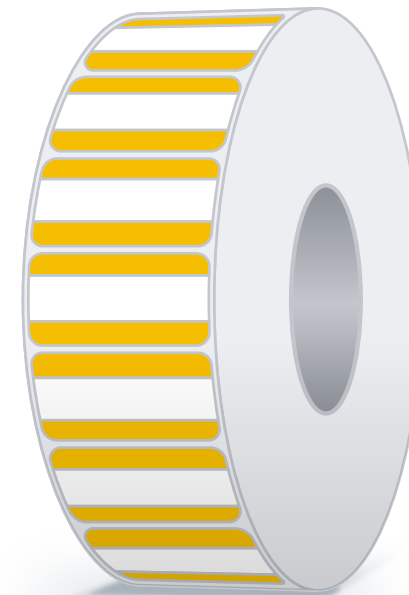
How Zebra Adds Value:

- **Customizable:** Create a custom clearance label to support price management strategy
- **Supports Your Brand:** Precise PMS color matching and coverage/bleed options available
- **Secure:** Custom design security slits to cause it to tear when removed
- **Flexible:** Choose from a wide range of paper and synthetic label materials to meet your needs



Key Features:

- Pretested with Zebra printers to ensure quality, consistency and readability
- Customization options (tag size, color matching and slits) for your budget and brand
- Compatible with Zebra desktop, industrial and most mobile printers



BoingTech™ BT793

RFID Inlay



Application:

- Well suited for retail item level tracking applications, but can be utilized in a wide range of applications outside retail



Challenges:

- **Read Range:** These applications require longer distance readings at a fast pace
- **Performance:** Inlays need to perform well with the printer and the readers to avoid data errors



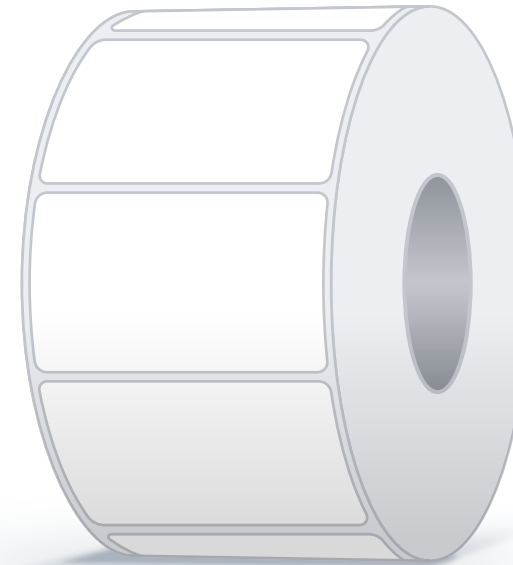
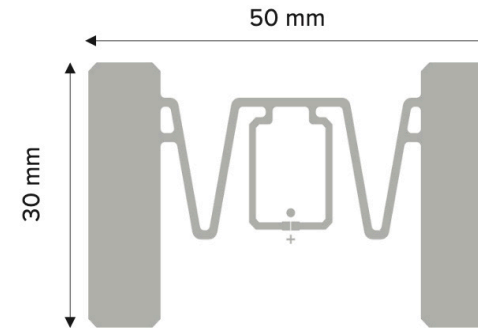
How Zebra Adds Value:

- **Error Prevention:** High read ranges help minimize errors in asset-related data
- **Real-Time Visibility:** Helps track, identify and maximize asset utilization
- **Proven Performance:** ARC Quality certified BoingTech BT793 inlays are designed and tested for optimal performance with Zebra printers and RFID readers



Key Features:

- Meets Auburn ARC specifications
- Read range of up to 20 m



PolyPro 4000D

Shelf Label



Application:

- Direct thermal shelf price label to communicate price to consumers



Challenges:

- **Customer Dissatisfaction:** Shoppers are not pleased when items are not priced
- **Brand Consistency:** Reinforce your store brand consistently on all products
- **Lack of Information:** Products are sometimes missing key information (size, price, etc.) that influences shoppers
- **Label Quality:** Labels that are illegible for consumers and barcode readers cause problems



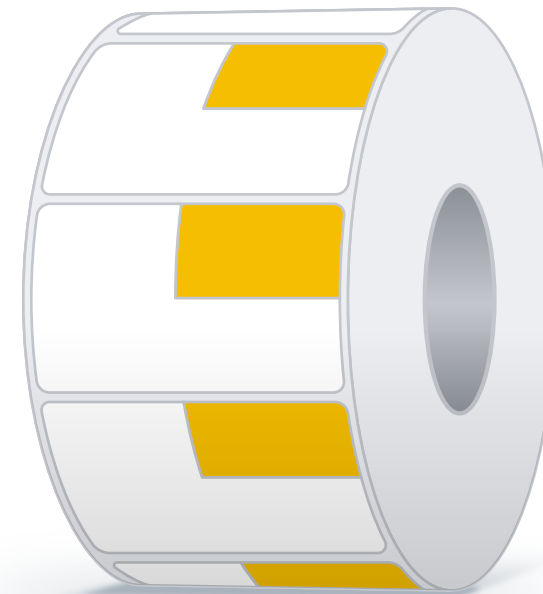
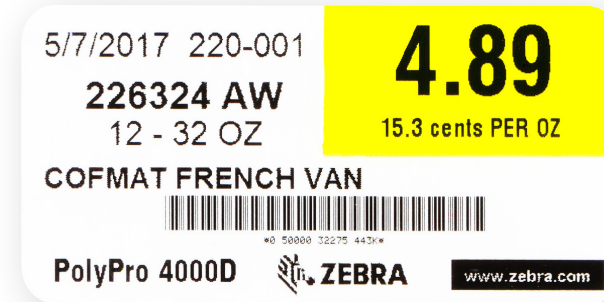
How Zebra Adds Value:

- **Customizable:** Create a custom label to support price management strategy
- **Supports Your Brand:** Precise PMS color matching and coverage/bleed options available with customized, direct thermal labels
- **Flexible:** Choose from a wide range of paper and synthetic label materials to meet your needs



Key Features:

- Ease of removal makes this a good choice for displays where pricing or products are changed frequently
- Pretested with Zebra printers to ensure quality, consistency and scanning reliability
- Customization options including tag size and color matching to support your brand image
- Compatible with Zebra desktop, industrial and most mobile printers



Z-Perform™ 1000D 5.3 mil Tag

Shelf Tags



Application:

- Direct thermal shelf price tag to communicate price to consumers



Challenges:

- **Customer Dissatisfaction:** Shoppers are not pleased when items are not priced
- **Brand Consistency:** Reinforce your store brand consistently on all products
- **Lack of Information:** Products are sometimes missing key information (size, price, etc.) that influences shoppers
- **Tag Quality:** Tags that are illegible for consumers and barcode readers cause problems



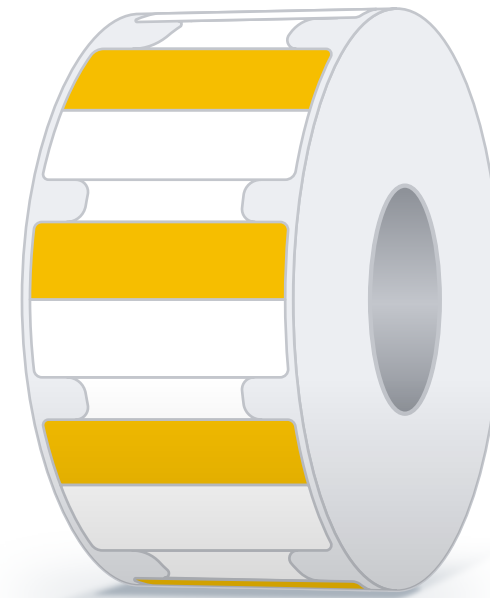
How Zebra Adds Value:

- **Customizable:** Create a custom label to support price management strategy
- **Supports Your Brand:** Precise PMS color matching and coverage/bleed options available with customized, direct thermal tags



Key Features:

- Pretested with Zebra printers to ensure quality, consistency and scanning reliability
- Customization options including tag size and color matching to support your brand image
- Compatible with Zebra desktop, industrial and most mobile printers



Z-Perform™ 1000D 5.3 mil Tag

Markdown Price Tag



Application:

- Direct thermal tag to highlight price markdown from a distance



Challenges:

- **Turnover:** Inventory that is slow to sell needs to be quickly reduced and promoted
- **Awareness:** Consumers need awareness of price markdown—even from a distance
- **Legibility:** Tags must be legible for consumers and barcode readers



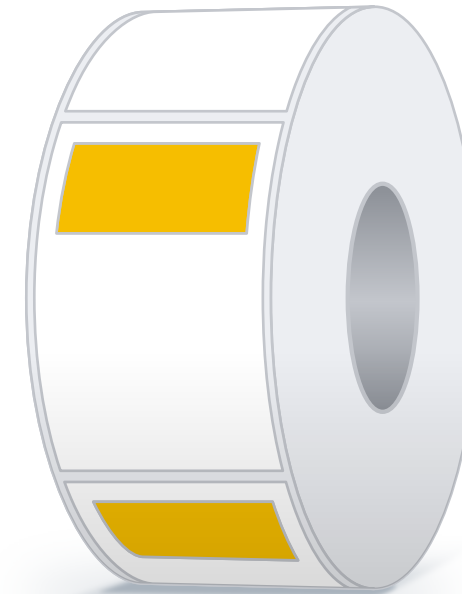
How Zebra Adds Value:

- **Branded:** Represent your brand in a positive light with customized, direct thermal tags
- **Customized:** Choose from precise PMS color matching and coverage/bleed options available
- **Awareness:** Customize color to highlight items on sale



Key Features:

- Pretested with Zebra printers to ensure quality, consistency and scanning reliability
- Customization options including tag size and color matching to support your brand image
- Compatible with Zebra desktop, industrial and most mobile printers



Z-Perform™ 1000D

Receipt with Backprinting



Application:

- Direct thermal mobile printer receipt to provide customer proof of purchase



Challenges:

- **Validate Purchase:** Need to provide shoppers a receipt
- **Promote Brand:** Easily identifiable
- **Inform:** Communicate important information to customers



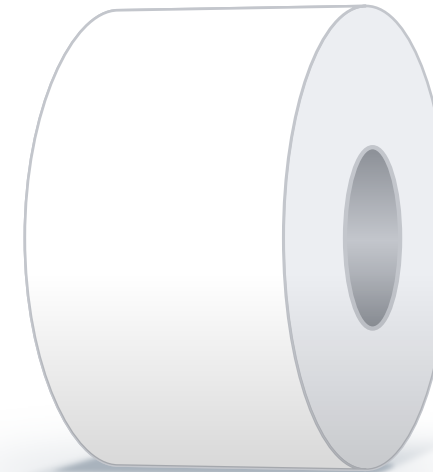
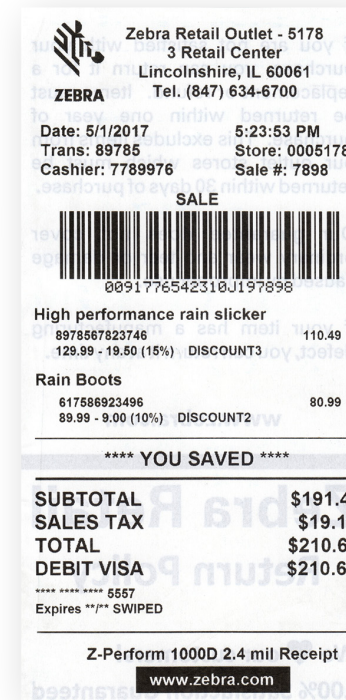
How Zebra Adds Value:

- **Choice:** Meet your business objectives with our 2.4 and 3.5 mil receipts
- **Support Your Brand:** Place your logo, watermark and colors
- **Backprinting Options:** Convey important information such as your return policy



Key Features:

- Pretested with Zebra printers to ensure quality printing and long-lasting image
- Customize with pre-printed logo, watermark and text, which allows you to support your brand image and relay customer information
- Compatible with Zebra desktop, industrial and mobile printers



HEALTHCARE

MANUFACTURING

RETAIL



TRANSPORTATION
AND LOGISTICS

IQ Color 2000D

Color Cross-Docking Label



Application:

- Color cross-docking labels for regional distribution centers that serve multiple stores or locations



Challenges:

- **Hard to Sort:** Unless packages on conveyor system are accurately read and sorted, they may end up at the wrong store or location
- **Hard to Read:** Labels in black are easily misread
- **Hard to ID:** Once a package is on the wrong skid, it is difficult to identify



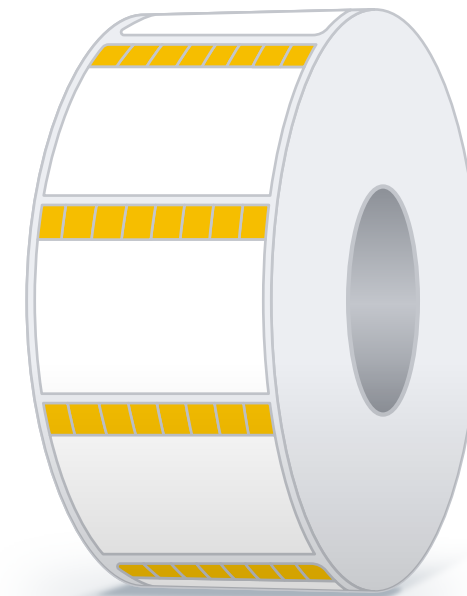
How Zebra Adds Value:

- **Accuracy:** Avoid shipment and sortation mistakes by using color on the label to identify each skid
- **Faster:** Reduce sortation time and simplify employee training
- **Quick Correction:** With color, you can easily spot packages placed on wrong skid
- **Increase Profits:** Even a 1% improvement can save the company thousands of dollars



Key Features:

- Innovative IQ Color uses invisible, direct thermal ink technology
- The printhead's heat activates the invisible ink, allowing you to select the colors you want to make visible
- Zebra customizes this solution to allow color placement where you need it
- Can print text, reverse images, shapes and logos in color
- Compatible with all Zebra desktop, industrial and mobile printers



Z-Slip

Packing Slip



Application:

- Packing slip



Challenges:

- **Time-Consuming:** A conventional packing list has to be folded three times, inserted into an envelope and adhered to the package
- **Inconvenient:** A packing list inside the box forces customers to search for it



How Zebra Adds Value:

- **Innovative:** A cutting-edge solution from Zebra
- **Fast:** Use of Z-Slip slashes 29 seconds from the process
- **Convenient:** The packing list is outside, where it's visible
- **Positive:** Provides a positive brand experience for the customer



Key Features:

- All-in-one packing slip solution
- Easy—print, peel and apply
- Format built into SAP Smart Forms for ease of integration with SAP
- Pretested with Zebra printers to ensure quality printing
- Compatible with Zebra industrial printers

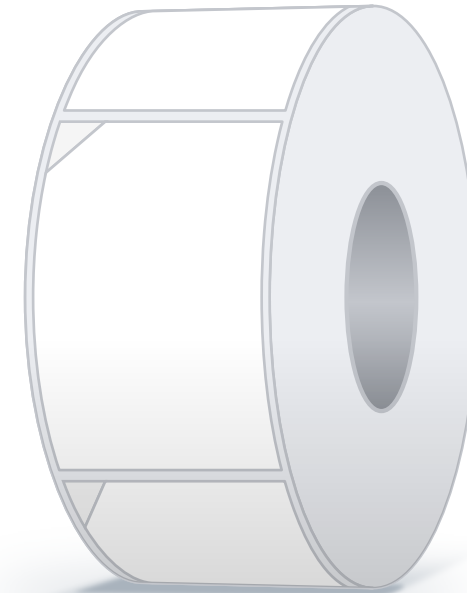
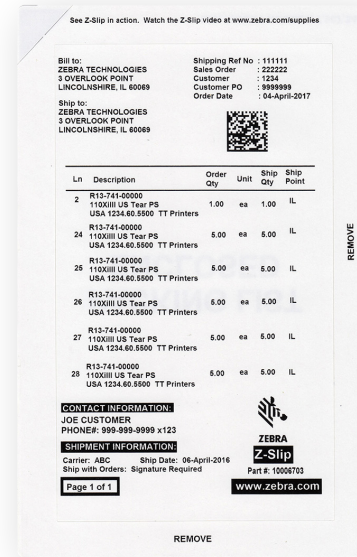
Time to add
Packing Slip



Conventional
label 40 sec

Z-Slip
11 sec

At 1,000
packages/day
= 2,000 hrs.
saved/year



HEALTHCARE

MANUFACTURING

RETAIL



TRANSPORTATION
AND LOGISTICS



Key Zebra Certified Supplies for Transportation and Logistics

Print Confident.
Print Quality.
Print Zebra.



HEALTHCARE

MANUFACTURING

RETAIL

TRANSPORTATION
AND LOGISTICS





Why Legible, Easy-to-Scan Supplies Matter

Organization:

- Lower costs
- Improve accuracy
- Expedite processes



Receiving and Shipping:

- Slash labeling time
- Verify receipt of material
- Reduce the chance of delays



Direct Store Delivery:

- Support timely delivery



Inventory:

- Track inventory in real time
- Accelerate cycle counts
- Improve inventory management



Cross-Docking:

- Rapidly identify errors
- Lower risk of mistakes in sorting and shipping



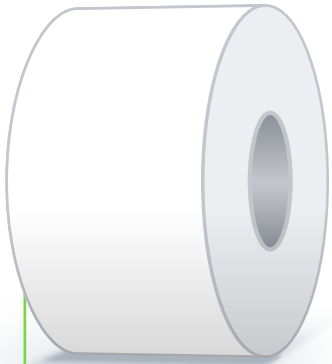
Picking and Staging:

- Minimize downtime
- Increase efficiency





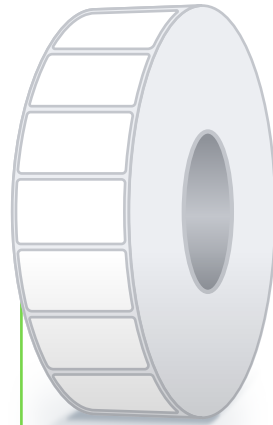
Zebra Transportation and Logistics Supplies at a Glance



Shipping/Receiving

- Z-Slip
- Z-Perform 1000D Receipt
- IQ Color 2000D

PAGES 41-43



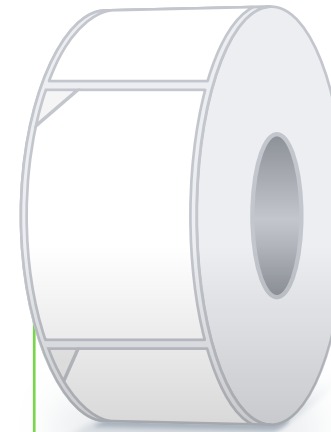
Inventory Management

- ThermaLock™ 4100D

RFID

- ZBR2100 Inlay

PAGES 44-45



Cross-Docking

- IQ Color 2000D

PAGE 46



Z-Slip

Packing Slip



Application:

- Packing slip



Challenges:

- **Time-Consuming:** A conventional packing list has to be folded three times, inserted into an envelope and adhered to the package
- **Inconvenient:** A packing list inside the box forces customers to search for it



How Zebra Adds Value:

- **Innovative:** A cutting-edge solution from Zebra
- **Fast:** Use of Z-Slip slashes 29 seconds from the process
- **Convenient:** The packing list is outside, where it's visible
- **Positive:** Provides a positive brand experience for the customer



Key Features:

- All-in-one packing slip solution
- Easy—print, peel and apply
- Format built into SAP Smart Forms for ease of integration with SAP
- Pretested with Zebra printers to ensure quality printing
- Compatible with Zebra industrial printers

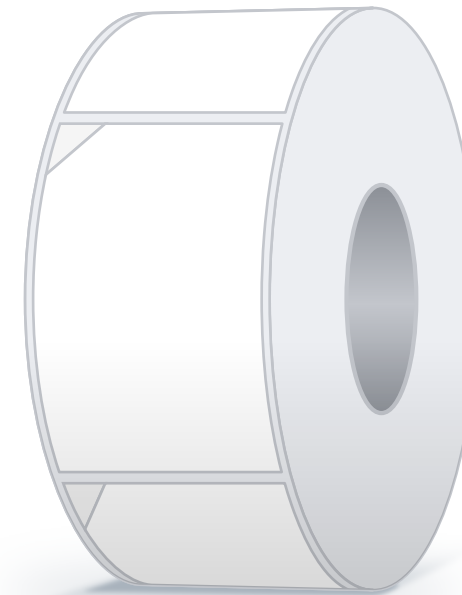
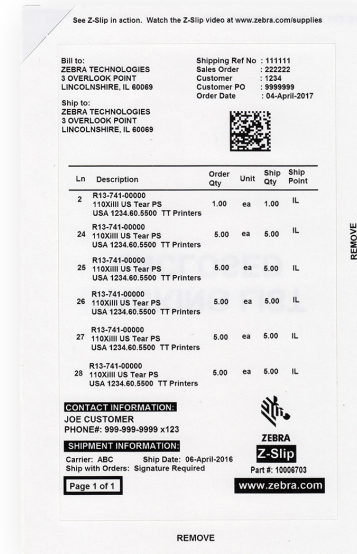
Time to add
Packing Slip



Conventional
label 40 sec

Z-Slip
11 sec

At 1,000
packages/day
= **2,000 hrs.**
saved/year



HEALTHCARE

MANUFACTURING

RETAIL

TRANSPORTATION
AND LOGISTICS



Z-Perform™ 1000D Receipt

Proof of Delivery Receipt



Application:

- Customer proof of delivery
- Load manifests
- Invoices
- Payment receipts
- Pick lists



Challenges:

- **Durability:** Receipt must be durable for a defined time-frame



How Zebra Adds Value:

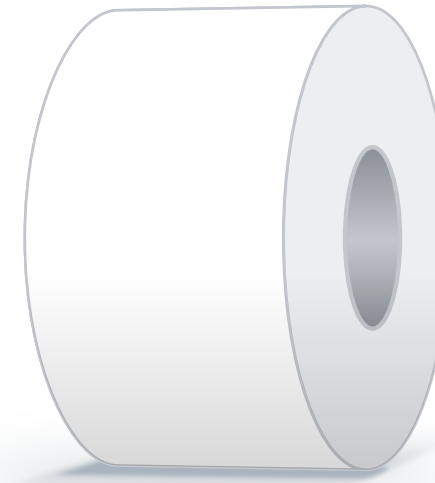
- **Longevity:** Archivable up to 25 years*
- **Flexibility:** Choose from 2.3 mil or 3.5 mil receipts to support your brand and application needs
- **Customizable:** Create a custom receipt that represents your brand in a positive light and communicates terms and conditions



Key Features:

- Pretested with Zebra printers to ensure quality printing and long-lasting images, resulting in fewer jams and less downtime
- Customization options include preprinted logo, watermark and text on the back of the receipt
- Maximum footage per roll for fewer roll replacements
- Compatible with Zebra mobile printers

*Archivability: The thermal image will remain legible for the archival life provided the image is fully developed on the recommended thermal printer and the document is stored with compatible materials under proper storage conditions.



HEALTHCARE

MANUFACTURING

RETAIL

TRANSPORTATION
AND LOGISTICS



IQ Color 2000D Color Shipping Label

Color Shipping Label



Application:

- Shipping labels to highlight rush ship methods and ensure items get on the right truck



Challenges:

- **Hard to Sort:** Unless packages on conveyor system are accurately read and sorted, they may end up at the wrong truck
- **Hard to Read:** Labels in black are easily misread when identified by a number
- **Hard to ID:** Once a package is on the wrong truck, it is difficult to identify



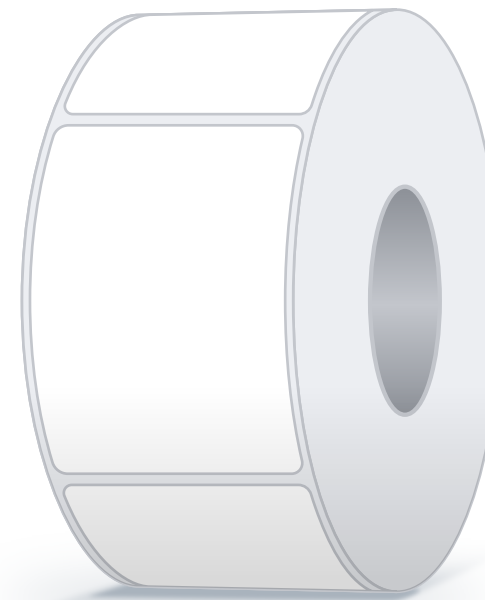
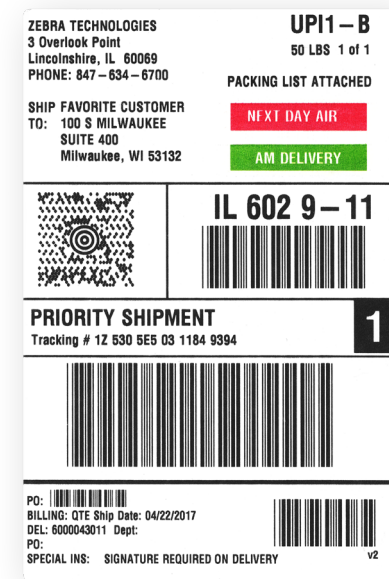
How Zebra Adds Value:

- **Accuracy:** Avoid shipment and sortation mistakes by using color on the label to identify each package
- **Faster:** Reduce sortation time
- **Quick Correction:** With color, you can easily spot packages placed on wrong truck
- **Increase Profits:** Even a 1% improvement can save the company thousands of dollars



Key Features:

- Innovative IQ Color uses invisible, direct thermal ink technology
- The printhead's heat activates the invisible ink, allowing you to select the colors you want to make visible
- Can print text, reverse images, shapes and logos in color
- Zebra customizes this solution to allow color placement where you need it
- Compatible with all Zebra desktop, industrial and mobile printers



Thermalock™ 4100D

Indoor and Outdoor Labels



Application:

- Ideal for shipping containers in a port, inventory in outdoor areas, work-in-process in a manufacturing plant, vehicles in an outdoor auction yard and more



Challenges:

- **Long-Lasting, Durable Images:** Labels need to be resistant to fluorescent lights and challenging indoor and outdoor conditions
- **Performance:** No-fade and smudge-free label performance is required in any condition



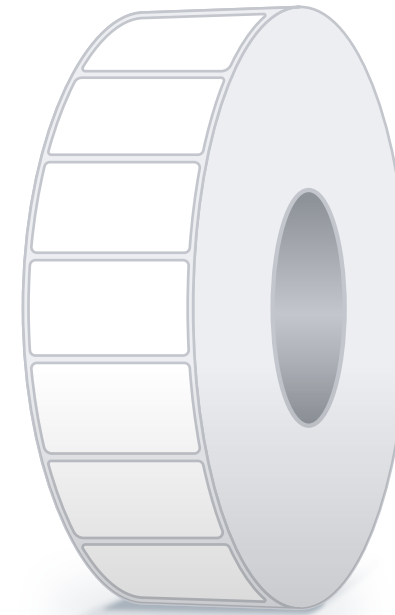
How Zebra Adds Value:

- **Easier to Print:** Direct thermal alternative solution simplifies printing, no ribbon required
- **Durability:** Our unique, durable solution does not fade
- **Longevity:** Durable image remains readable when exposed to fluorescent lights
- **Cost-effective:** Lower cost alternative to traditional synthetic direct thermal and thermal transfer label materials



Key Features:

- Unique print technology produces an image that will last up to a year in the most demanding conditions
- Designed to withstand temperatures as low as -65°F (-54°C) and up to 248F (120°C) as well as exposure to sunlight, a wide range of chemicals, moisture and more
- Optimized to be read from nearly any angle
- Compatible with Zebra desktop, industrial and mobile printers



HEALTHCARE

MANUFACTURING

RETAIL

TRANSPORTATION
AND LOGISTICS



ZBR2100

RFID Inlay



Application:

- Manufacturing, T&L, and other industries' applications that require high read ranges



Challenges:

- **Read Range:** These applications require readings from different angles and at a considerable distance
- **Performance:** Inlays need to perform well with the printer and the readers to avoid data errors



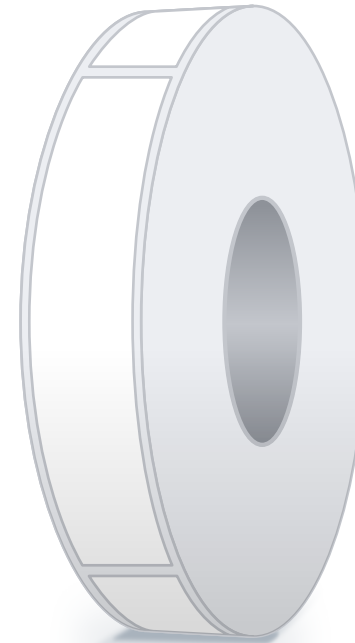
How Zebra Adds Value:

- **Error Prevention:** High read ranges help minimize errors in asset-related data
- **Real-Time Visibility:** Helps track, identify and maximize asset utilization
- **Proven Performance:** ZBR2100 inlays are designed and tested for optimal performance with Zebra printers and RFID readers



Key Features:

- Extreme high-sensitivity UCODE 9 chipset (EPC-96-bit, user N/A)
- Read range of up to 20 m in free space
- Optimized to be read from nearly any angle



HEALTHCARE

MANUFACTURING

RETAIL

TRANSPORTATION
AND LOGISTICS



IQ Color 2000D Color Cross-Docking Label

Color Cross-Docking Label



Application:

- Cross-docking labels for regional distribution centers that serve multiple stores or locations



Challenges:

- **Hard to Sort:** Unless packages on conveyor system are accurately read and sorted, they may end up at the wrong store or location
- **Hard to Read:** Labels in black are easily misread
- **Hard to ID:** Once a package is on the wrong skid, it is difficult to identify



How Zebra Adds Value:

- **Accuracy:** Avoid shipment and sortation mistakes by using color on the label to identify each skid
- **Faster:** Reduce sortation time and simplify employee training
- **Quick Correction:** With color, you can easily spot packages placed on wrong skid
- **Increase Profits:** Even a 1% improvement can save the company thousands of dollars



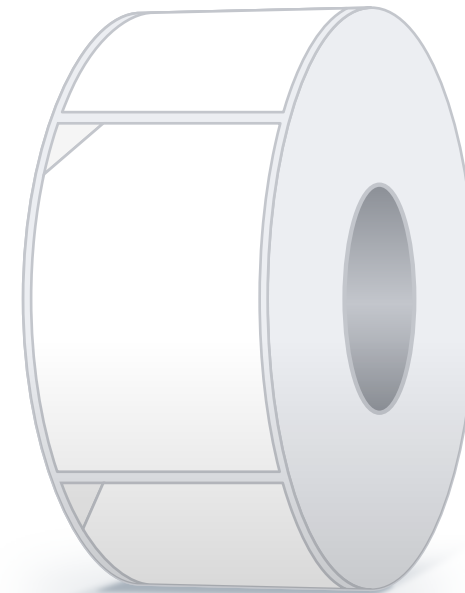
Key Features:

- Zebra customizes this solution to allow color placement where you need it
- Innovative IQ Color uses invisible, direct thermal ink technology
- The printhead's heat activates the invisible ink, allowing you to select the colors you want to make visible
- Can print text, reverse images, shapes and logos in color
- Compatible with all Zebra desktop, industrial and mobile printers

One
satisfied
customer



Just
1 label
across
5 DCs
= 400K
in annual
repeatable
revenue



HEALTHCARE

MANUFACTURING

RETAIL

TRANSPORTATION
AND LOGISTICS





Zebra Certified Supplies for Maximum Quality, Consistency and Accuracy



RMS Omega Technologies
9635 Philadelphia Rd, Baltimore, Maryland, 21237, United States
<https://rmsomega.com>
888-857-8402

ZEBRA and the stylized Zebra head are trademarks of Zebra Technologies Corp., registered in many jurisdictions worldwide.
All other trademarks are the property of their respective owners. ©2024 Zebra Technologies Corp. and/or its affiliates. 02/15/2024.

