



rmsomega.com  
 888.857.8402  
 info@rmsomega.com

# Zebra Certified Supplies for Maximum Quality, Consistency and Accuracy



HEALTHCARE



MANUFACTURING



RETAIL



TRANSPORTATION  
 AND LOGISTICS

# Contents

## Why Zebra Certified Supplies 3



## Healthcare 4

Why Legible, Easy-to-Scan Wristbands and Labels Matter .....	5
Zebra Healthcare Supplies at a Glance .....	6
<b>Positive Patient ID</b>	
LaserBand® 2 Advanced .....	7
Z-Band® UltraSoft .....	8
<b>Phlebotomy Specimen Collection Label</b>	
IQ Color 2000D .....	9
8000D .....	10
<b>Laboratory Label</b>	
Z-Xtreme 5000T with Image Lock Ribbon .....	11
Z-Select™ 4000D .....	12
<b>Blood Bank</b>	
8000T Primary Blood Bag .....	13



## Manufacturing 14

Why Legible, Easy-to-Scan Labels and Tags Matter .....	15
Zebra Manufacturing Supplies at a Glance .....	16
<b>Product ID</b>	
Z-Ultimate® 2000T .....	17
PolyPro™ 3000T .....	18
<b>RFID Labeling for Metal</b>	
Silverline .....	19
Silverline Blade II .....	20
ZBR4100 .....	21
<b>Component ID</b>	
Z-Ultimate 2000T .....	22
<b>Work-in-Process Tag</b>	
Z-Select 4000T 7.5 mil Paper Tag .....	23
<b>Shipping</b>	
IQ Color Shipping Label .....	24



## Retail 25

Why Legible, Easy-to-Scan Supplies Matter .....	26
Zebra Retail Supplies at a Glance .....	27
<b>Price/Product</b>	
Z-Perform™ 1000D 5.3 mil Tag .....	28
IQ Color 2000D .....	29
Z-Perform 2000D .....	30
<b>Price/Shelf</b>	
RFID/BoingTech BT793 .....	31
PolyPro 4000D .....	32
Z-Perform 1000D Shelf Tags .....	33
Z-Perform 1000D Markdown Price Tag .....	34
<b>Mobile Point of Sale</b>	
Z-Perform 1000D Receipt with Backprinting .....	35
<b>Distribution</b>	
IQ Color 2000D .....	36
Z-Slip .....	37



## Transportation and Logistics 38

Why Legible, Easy-to-Scan Supplies Matter .....	39
Zebra Transportation and Logistics Supplies at a Glance .....	40
<b>Shipping/Receiving</b>	
Z-Slip .....	41
Z-Perform 1000D Receipt .....	42
IQ Color 2000D .....	43
<b>Inventory Management</b>	
ThermaLock™ 4100D .....	44
ZBR2100 Inlay .....	45
<b>Cross-Docking</b>	
IQ Color 2000 .....	46

# Why Zebra Certified Supplies

Print Confident. Print Quality. Print Zebra.



We sift through thousands of available media options



Our R&D experts select, convert and rigorously test all materials



We certify only those offering the best thermal printing performance



We never substitute raw materials so our customers get consistent quality

## Benefits of Printing with Zebra Certified Supplies

### Printer Uptime

No supply-related downtime

### Workforce Productivity

Increased worker and process efficiency

### Customer Service Quality

No delays related to printer supplies

### TCO

Reduced capital, operational, maintenance and troubleshooting costs



HEALTHCARE

MANUFACTURING

RETAIL

TRANSPORTATION AND LOGISTICS

BOOKLET  
SUPPLIES SALES SUPPORT



# Key Zebra Certified Supplies for Healthcare

Print Confident.  
Print Quality.  
Print Zebra.



HEALTHCARE



MANUFACTURING

RETAIL

TRANSPORTATION  
AND LOGISTICS



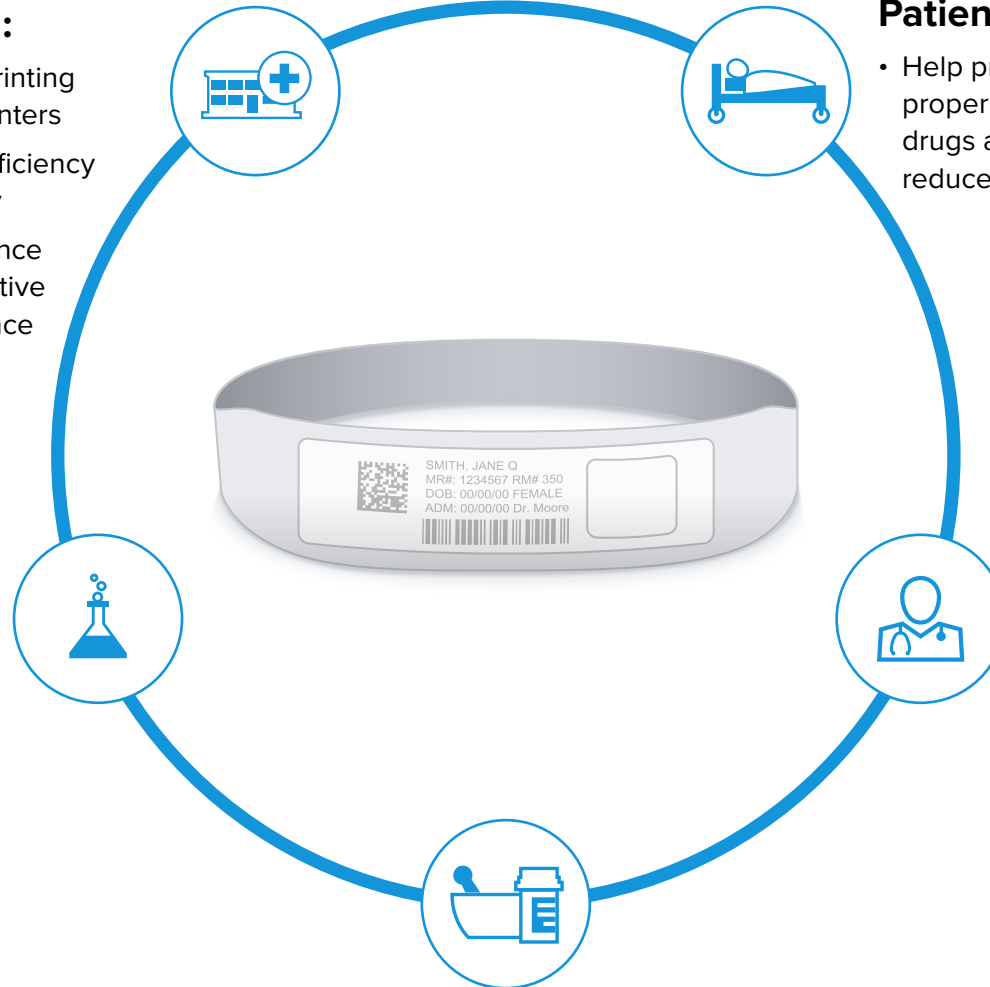
# Why Legible, Easy-to-Scan Wristbands and Labels Matter

## Organization:

- Lower TCO of printing supplies and printers
- Increase staff efficiency and productivity
- Elevate compliance and ensure positive patient experience

## Laboratory:

- Forgo misdiagnosis and inappropriate treatment with accurate sample identification and reports
- Eliminate the costly need to recollect the sample, redo tests and reprint labels



## Patient:

- Help protect patients' rights by properly identifying patients, drugs and specimens to reduce the risk of errors

## Clinician:

- Ensure the five patient rights—right patient, right drug, right dosage, right method, right time

## Pharmacy:

- Reduce the risk of picking the wrong drug and/or dosage





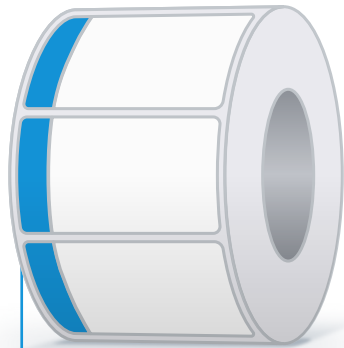
# Zebra Healthcare Supplies at a Glance



## Positive Patient ID

- LaserBand® 2 Advanced
- Z-Band® UltraSoft

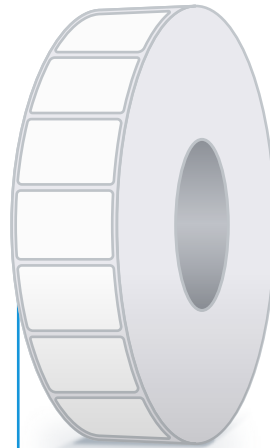
PAGES 7-8



## Phlebotomy Specimen Collection Label

- IQ Color 2000D
- 8000D Label

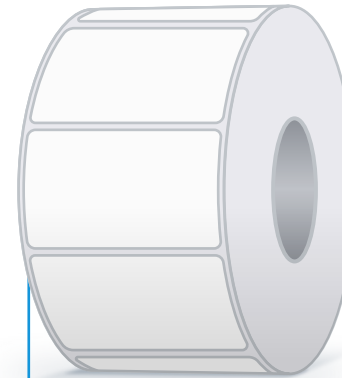
PAGES 9-10



## Laboratory Label

- Z-Xtreme 5000T with Image Lock Ribbon

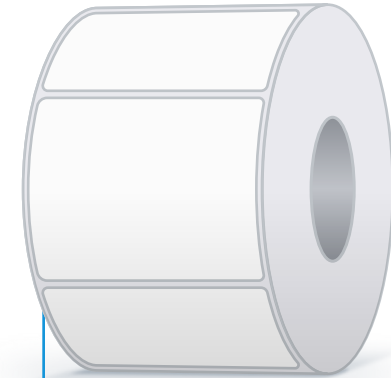
PAGE 11



## Pharmacy Label

- Z-Select™ 4000D

PAGE 12



## Blood Bank

- 8000T Primary Blood Bag

PAGE 13



# LaserBand<sup>®</sup> 2 Advanced

## Patient Identification Wristband



### Application:

- Accurately identify patients from admission to discharge



### Challenges:

- **Safety and Inefficiency:** Barcodes that fail to scan jeopardize patient safety and staff productivity
- **Hand Sanitizer Resistance:** Bands need to withstand hand sanitizers
- **Legibility:** They must be readable even after multiple days of continuous wear
- **Comfort:** The band should not irritate a patient



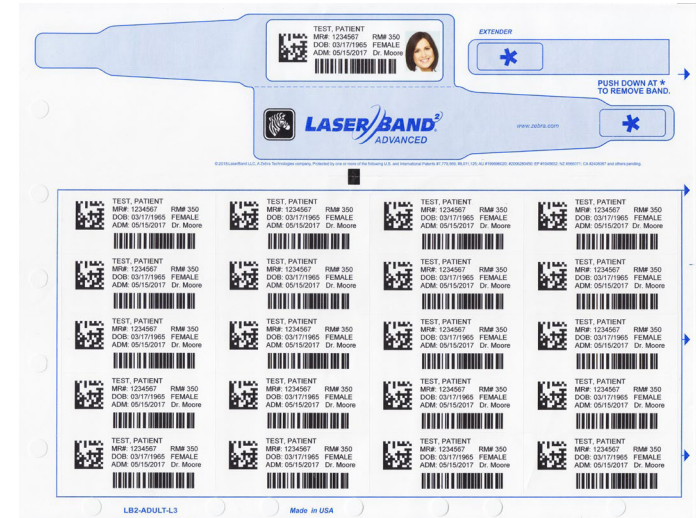
### How Zebra Adds Value:

- **No Extra Hardware Needed:** Zebra's self-laminating wristbands and labels can be printed on one sheet, utilizing existing laser printers
- **Preserves Patient Data Longer:** Patented self-laminating seal protects the wristband from moisture and hand-sanitizers



### Key Features:

- Lays flat on the wrist for quick scanning
- Easy to assemble
- Available in multiple sizes and colors, including a labor and delivery format
- Latex-free
- Compatible with standard laser printers



# Z-Band® UltraSoft

## Patient Identification Wristband



### Application:

- Accurately identify patients from admission to discharge



### Challenges:

- **Safety and Inefficiency:** Barcodes that fail to scan jeopardize patient safety and staff productivity
- **Hand Sanitizer Resistance:** Bands need to withstand hand sanitizers
- **Legibility:** They must be readable even after multiple days of continuous wear
- **Comfort:** The band should not irritate a patient



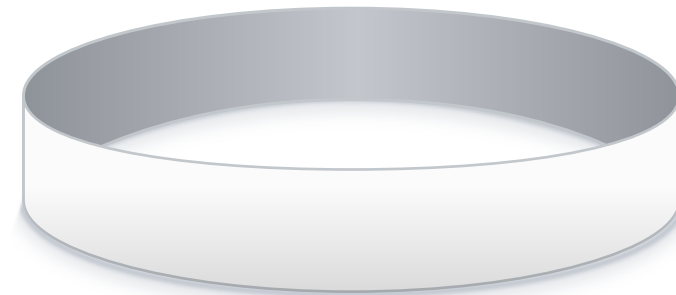
### How Zebra Adds Value:

- **Softest Wristband:** Z-Band UltraSoft is the softest direct thermal printable wristband on the market
- **For Delicate Skin:** It was developed specifically for delicate skin
- **Superior Comfort:** This flexible synthetic material has a soft feel
- **Durable:** Tested to ensure optimum image durability and scanning performance



### Key Features:

- A silver antimicrobial coating protects the wristband
- Scannable for up to 14 days
- Easy to print and secure in 60 seconds or less using an adhesive tab or clip
- MR-safe (metal-free) and latex-free
- Available in adult, pediatric and infant sizes
- Compatible with Zebra HC100 healthcare printers or Zebra desktop and industrial printers





# IQ Color 2000D

## Phlebotomy Specimen Collection Label



### Application:

- Accurately label and identify specimens



### Challenges:

- **Inefficiency:** Untimely lab results lead to the need to redraw samples or delays in providing results to physicians
- **Expense:** Misidentification errors are estimated to cost the industry \$200M to \$400M/year
- **Error-Prone:** Currently identify STAT specimens by manually indicating with a red marker



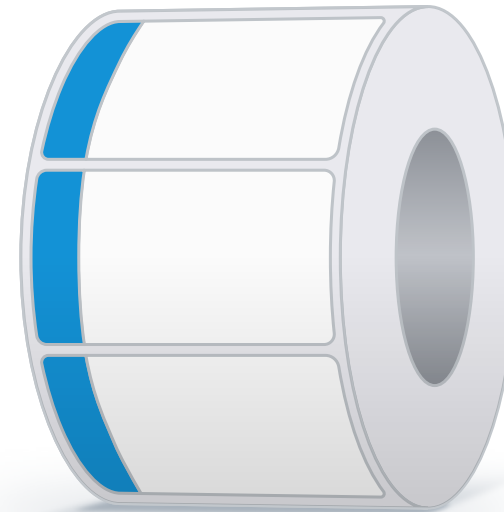
### How Zebra Adds Value:

- **Less Risk:** Unique solution allows on-demand identification of STAT specimen, reducing the chance of errors with automated at-a-glance color cues



### Key Features:

- Print STAT color indicator on demand
- Meets Clinical Laboratory Standards Institute (CLSI) specimen collection label format standards
- Innovative IQ Color uses invisible, direct thermal ink technology
- The printhead's heat activates the invisible ink, allowing you to select the colors you want to make visible
- Tested and compatible with all Zebra desktop and mobile printers



# 8000D

## Laboratory Paper Label



### Application:

- Labeling of curved surfaces such as: test tubes, vials, syringes



### Challenges:

- **Compliance:** Adhesive must meet FDA 175.105 requirements
- **Durability:** If a vial or test tube label becomes unreadable or falls off, it can cause a sample identification error that can lead to a dangerous, adverse event



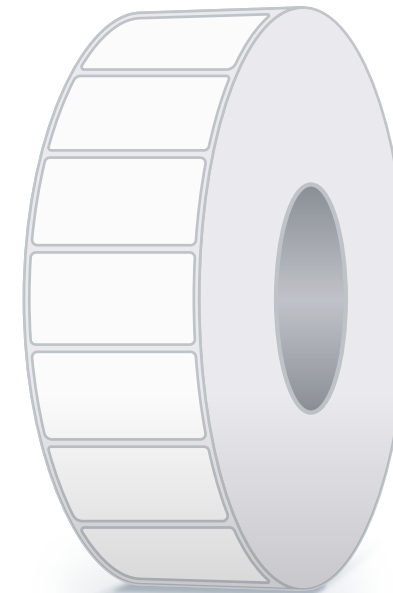
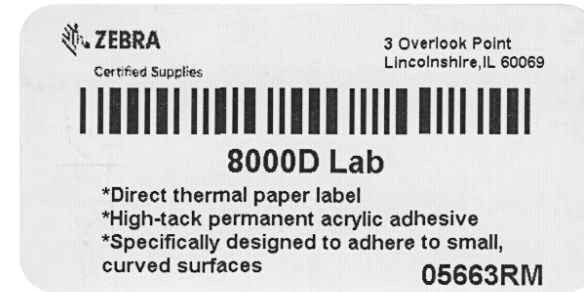
### How Zebra Adds Value:

- **Error Prevention:** Ensures correct identification of test and patient
- **Time and Cost Savings:** Avoids the need for resampling or retesting



### Key Features:

- Direct thermal, premium, ultra-smooth paper label with a high-tack permanent acrylic adhesive
- Excellent print quality and mandrel hold
- Meets FDA 175.105 for indirect food contact requirement
- Glove-friendly on adhesive
- Available in white (05663RM)



# Z-Xtreme 5000T with Image Lock Ribbon

## Laboratory Label



### Application:

- Identification of samples on laboratory slides



### Challenges:

- **Durability:** If a slide label becomes unreadable, unscannable or falls off during testing, it can cause a sample identification error that can lead to an adverse event, retesting, redraws or additional treatment
- **Real Estate:** Label size has to accommodate all the pertinent information



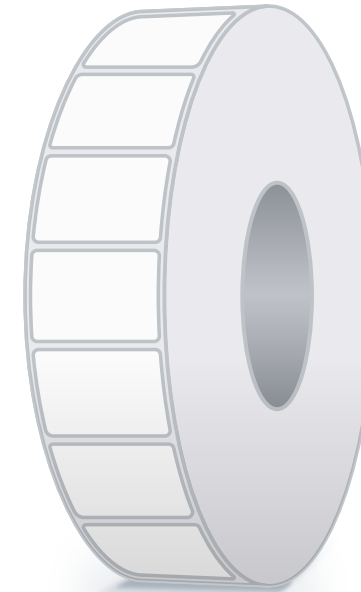
### How Zebra Adds Value:

- **Durable:** Designed to withstand the most common stains and chemicals found in laboratories, ensuring that the label remains readable and scannable during the test process
- **Error Prevention:** Ensures accurate identification so results are delivered to the right patient
- **Efficiency:** Avoids the need for resampling and retesting



### Key Features:

- Excellent durability and resistance to chemical solvents, including Xylene
- Compatible with Zebra industrial and desktop printers





# 8000T Primary Blood Bag

## Blood Bag Labeling



### Application:

- Properly identify blood and IV bags



### Challenges:

- **Risk:** Misidentified blood and medications create a serious risk to patient safety
- **Compliance:** Adhesive must meet FDA 175.105 requirements



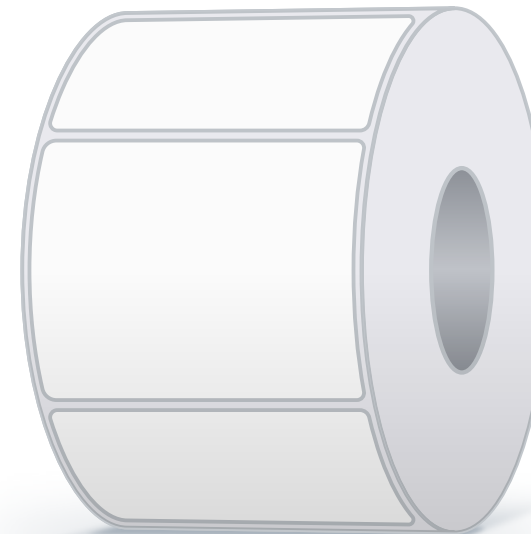
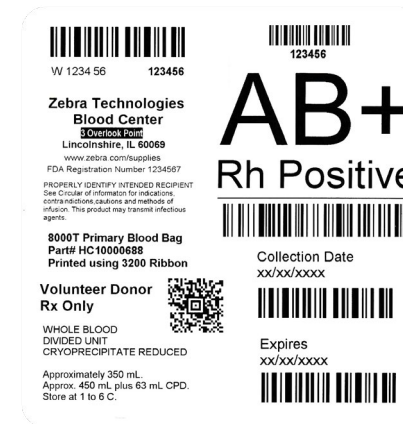
### How Zebra Adds Value:

- Specialty material that has been tested to meet the requirements for FDA 175.105 (indirect food labeling)
- Customizable to blood bag labeling size requirements



### Key Features:

- Adhesive performance between -40°C and 120°C
- Resistance to chemicals, alcohol, blood and water
- Meets ISBT 128 guidelines for uniform labeling of blood and blood components
- Compatible with Zebra desktop and industrial printers





# Key Zebra Certified Supplies for Manufacturing

Print Confident.  
Print Quality.  
Print Zebra.





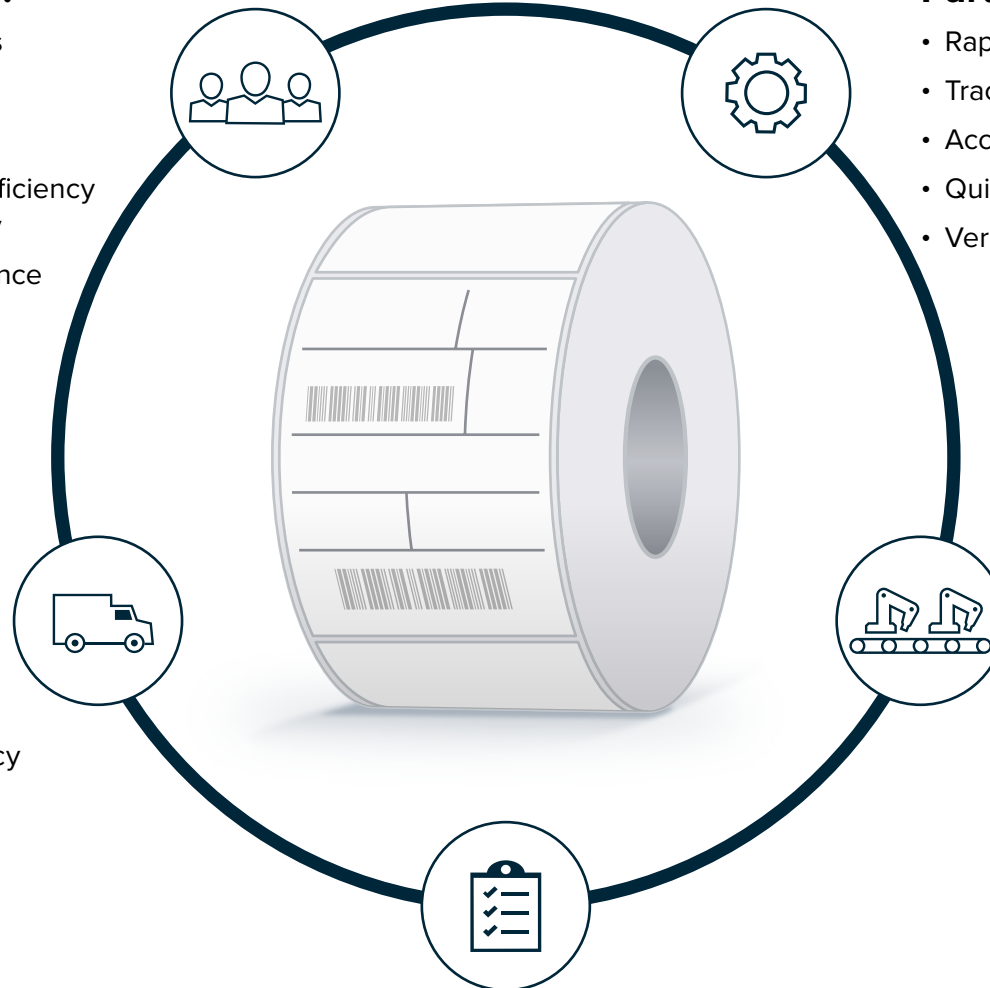
# Why Legible, Easy-to-Scan Labels and Tags Matter

## Organization:

- Lower expenses
- Avoid downtime
- Improve quality
- Increase staff efficiency and productivity
- Elevate compliance

## Shipping:

- Order picking and staging for accurate distribution
- Ensure timely shipping
- Expedite delivery and sales
- Improve service with accuracy



## Parts Management:

- Rapidly identify raw materials
- Track origin and product details
- Accurately manage inventory
- Quickly locate recalled items
- Verify specifications

## Production:

- Pick and stage parts
- Track the assembly of products to remain fast and lean
- Identify bottlenecks to reduce downtime
- Validate inspections to maintain quality
- Ensure compliance with international and national standards
- Identify finished products

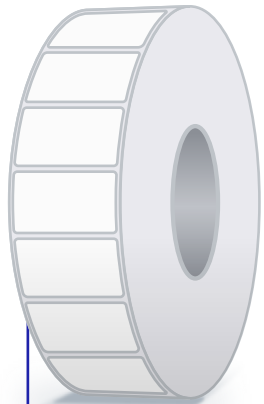
## Asset Tracking:

- Know the location of your assets





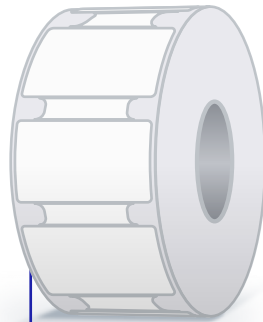
# Zebra Manufacturing Supplies at a Glance



## Product ID

- Z-Ultimate® 2000T
- Poly-Pro™ 3000T

PAGES 17-18



## RFID Labeling

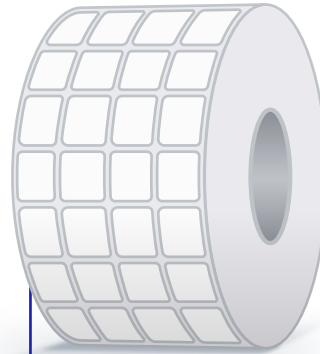
For Metal

- Silverline
- Silver Blade II

Advanced RFID Inlay

- ZBR4100

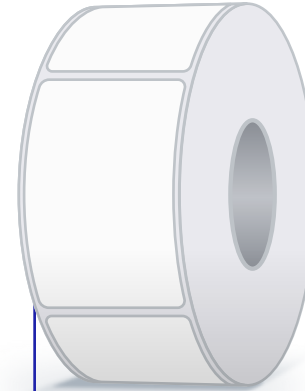
PAGES 19-21



## Component ID

- Micro Label–  
Z-Ultimate 2000T

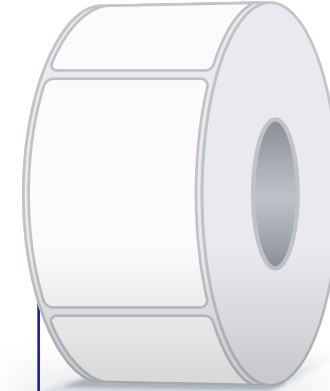
PAGE 22



## Work-in-Process Tag

- Z-Select 4000T  
(7.5 mil Paper Tag)

PAGE 23



## Shipping

- IQ Color  
Shipping Label

PAGE 24





# Z-Ultimate<sup>®</sup> 2000T

## Product ID (UID and General) Label



### Application:

- Product identification labeling



### Challenges:

- Long-term identification of manufactured items
- **Exposure:**
  - Chemicals
  - Abrasion
  - Outdoor elements or manufacturing environments with uncontrolled climate and a wide temperature range



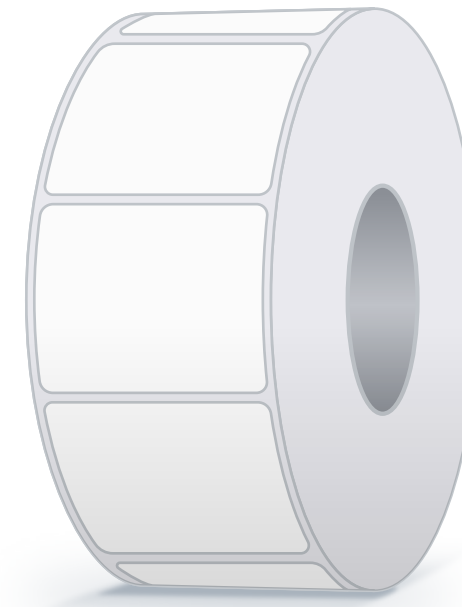
### How Zebra Adds Value:

- **Value:** Best ROI for asset labeling with gloss finish
- **Flexibility:** Can be fan-folded, unlike many synthetic labels, for ease of stacking larger quantities of labels, minimizing the time to change media
- **Customizable:** Custom sizes and color pre-printing solutions available to meet your unique needs



### Key Features:

- UL-compliant
- Excellent durability; withstands weak, moderate and some harsh chemicals and scratches
- Lasts up to 3 years outdoors
- Temperature exposure up to 300°F (150°C)
- Compatible with Zebra industrial and desktop printers



# Poly-Pro 3000T

## Product ID (UID and General) Label



### Application:

- Product identification labeling



### Challenges:

- **Resistance:** Identification of products must endure some abrasion and weak to moderate chemicals
- **Longevity:** Outdoor storage for 1 to 2 years



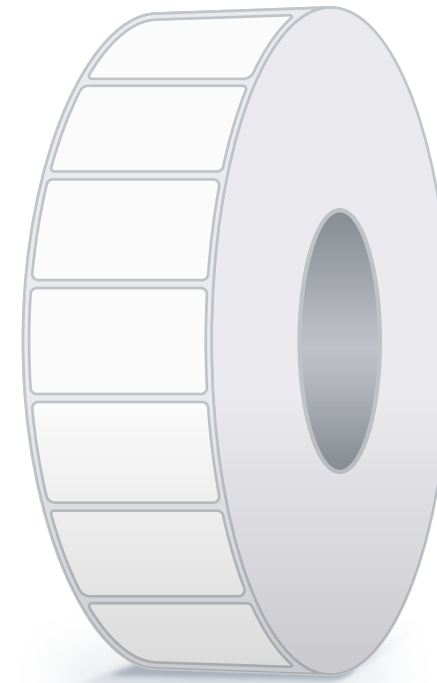
### How Zebra Adds Value:

- **Customizable:** Meets your unique needs with multiple sizes and colors, including pre-printed graphics and floodcoating



### Key Features:

- Available in gloss and matte finish
- Minimal resistance to scratching and smearing
- Resistant to weak and moderate chemicals
- Flexibility for labeling curved or irregular surfaces
- Lasts between 1 to 2 years outdoors
- Temperature exposure 250°F (121°C)
- Meets FDA 175.105 indirect food contact requirements
- Compatible with Zebra desktop and industrial printers



# Silverline

## On-Metal RFID Labeling



### Application:

- RFID asset tagging for metal and liquid-filled containers



### Challenges:

- **Illegibility:** RFID read range deteriorates when a traditional RFID label is applied on a metal surface or liquid-filled item
- **Lack of Visibility:** Assets whose barcodes are difficult to read cannot easily be tracked



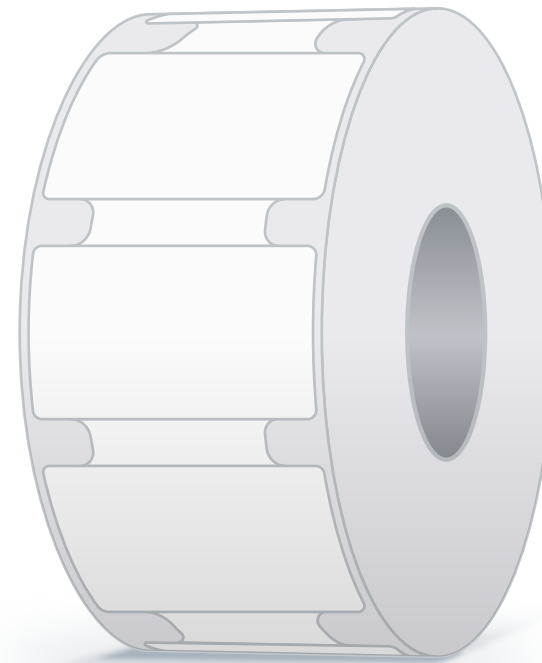
### How Zebra Adds Value:

- **Effective:** Designed to increase read range
- **Accurate:** Optimized for Zebra printers, these labels ensure high accuracy



### Key Features:

- Works on difficult-to-read metal and liquid-filled containers
- Standard, slim and micro sizes available
- Read range up to 5 meters
- Must be used with Zebra ZT410 printer



# Confidex Silverline Blade II™

## On Metal RFID Label Tag



### Application:

- Ideal for asset tracking of chemical drums, mobile computers, printers, antennas, wheelchairs, IV pumps, automotive assets and more



### Challenges:

- **Read Range:** Efficient read performance is needed for demanding tagging applications
- **Durability:** Manufacturing, automotive and healthcare assets, among others, often require heavy industrial washing



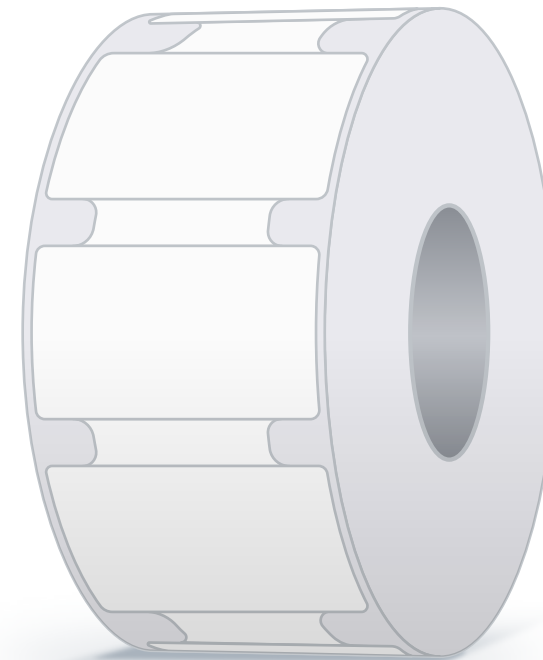
### How Zebra Adds Value:

- **Versatility:** The new Impinj M730 IC increases this tag's versatility and improves read performance
- **Resistance:** IP68 rating provides water resistance and dust protection without the need for extra cases or covers



### Key Features:

- IP68 rated; can be applied on a metal surface
- Printable, metal-mount label tag optimized for asset tagging
- Tolerates industrial washing with standard solvents
- New and more efficient Impinj M730 IC
- Reads distances up to 10 meters (33 ft) on metal and 5 meters (16 ft) on plastic surfaces



# ZBR4100

## Advanced RFID Inlay



### Application:

- Manufacturing, T&L, healthcare and other industries' applications that require high read ranges



### Challenges:

- **Read Range:** These applications require readings from different angles and at a considerable distance
- **Performance:** Inlays need to perform well with the printer and the readers to avoid data errors



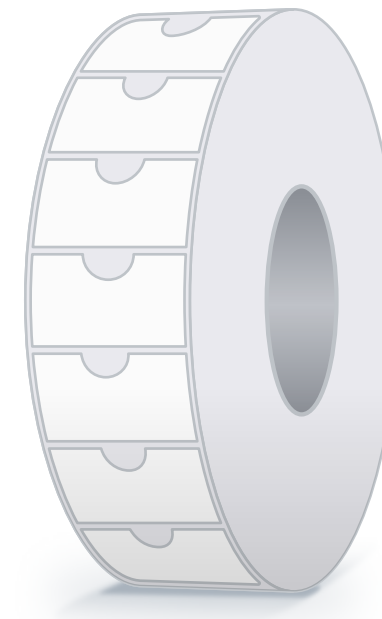
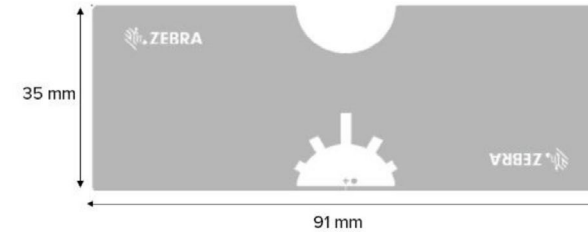
### How Zebra Adds Value:

- **Error Prevention:** High read ranges help minimize errors in asset-related data
- **Real-Time Visibility:** Helps track, identify and maximize asset utilization
- **Proven Performance:** ZBR4100 inlays are designed and tested for optimal performance with Zebra printers and RFID readers



### Key Features:

- Extreme high-sensitivity UCODE 9 chipset (EPC-96-bit, user N/A)
- Read range of up to 20 meters in free space
- Optimized to be read from nearly any angle



# Z-Ultimate<sup>®</sup> 2000T

## Micro Label for Component ID



### Application:

- Labeling of small parts or components in electronics



### Challenges:

- **Shrinking Real Estate:** The smaller parts become, the more critical identification becomes
- **Expanding Supply Chain:** It's becoming harder to track the increasing volume of components that comprise each product
- **Theft and Fraud:** As parts become smaller, they become harder to identify if stolen
- **Global Regulations:** Labels have to comply with global and regional information mandates
- **Lack of Durability:** Labels must meet the growing number of stringent environmental and durability requirements
- **Inflexibility:** With more complex components, pre-printed labels may be the wrong size or shape



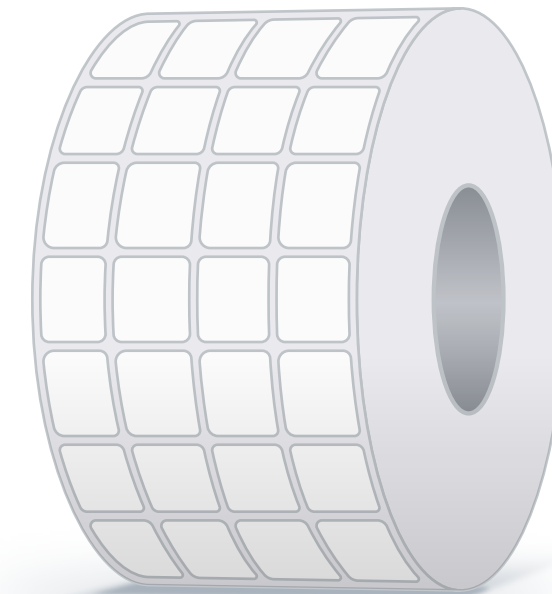
### How Zebra Adds Value:

- **Precision:** Ensure each label is printed in the right location with our tight registration
- **High Resolution:** Optimize your real estate by printing smaller, denser barcodes and data in high contrast
- **Flexibility:** On-demand micro labels allow you to easily customize them for your needs
- **Durability:** Our micro labels are engineered to withstand extreme temperatures, harsh chemicals and rough surfaces



### Key Features:

- Ability to manufacture small-sized labels
- Excellent durability, smear, scratch and chemical resistance
- Compatible with Xi and ZT600 printers



# Z-Select 4000T— 7.5 mil tag

## Work-in-process Tag



### Application:

- Work-in-process tags to maintain visibility throughout the manufacturing process



### Challenges:

- **Lack of Visibility:** A barcode that can't be scanned, can't be tracked throughout the entire process
- **Delays:** Without a means to track products, it is difficult to identify bottlenecks in the assembly line



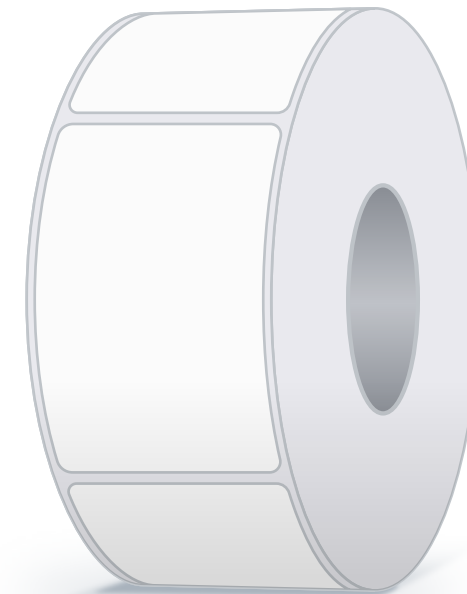
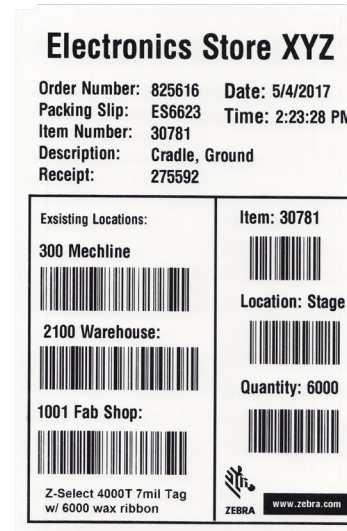
### How Zebra Adds Value:

- **Visibility:** Let Zebra help you identify the right material to maintain visibility into the manufacturing process
- Customizable to meet your needs



### Key Features:

- Designed for indoor use
- A good value between performance and cost
- Pretested with Zebra printers to ensure printing quality and image longevity
- Compatible with Zebra industrial and desktop printers



# IQ Color 2000D

## Shipping Label



### Application:

- Product identification labeling



### Challenges:

- Long-term identification of manufactured items
- **Exposure:**
  - Chemicals
  - Abrasion
  - Outdoor elements or manufacturing environments with uncontrolled climate and a wide temperature range



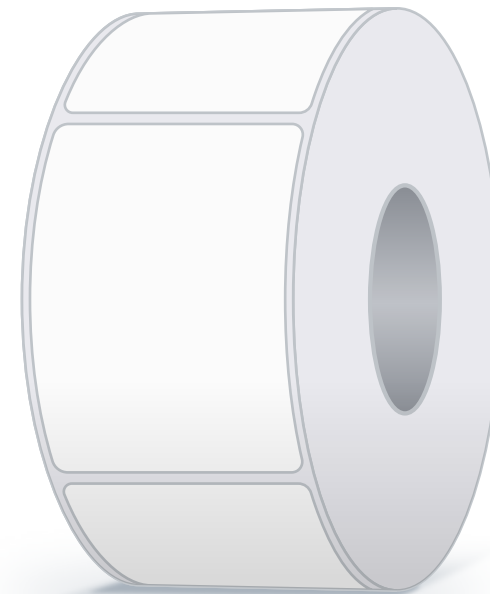
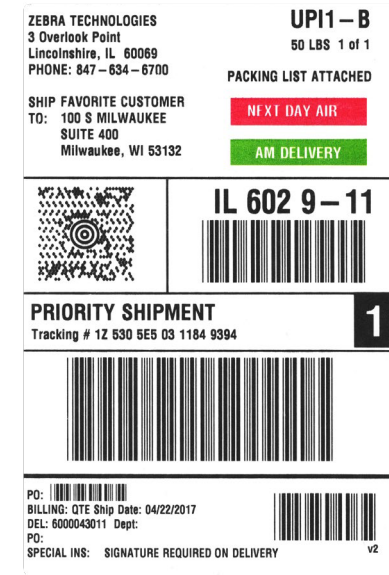
### How Zebra Adds Value:

- **Value:** Best ROI for asset labeling with gloss finish
- **Flexibility:** Can be fan-folded, unlike many synthetic labels, for ease of stacking larger quantities of labels, minimizing the time to change media
- **Customizable:** Custom sizes and color pre-printing solutions available to meet your unique needs



### Key Features:

- UL-compliant
- Excellent durability; withstands weak, moderate and some harsh chemicals and scratches
- Lasts up to 3 years outdoors
- Temperature exposure up to 300°F (150°C)
- Compatible with Zebra industrial and desktop printers







# Key Zebra Certified Supplies for Retail

Print Confident.  
Print Quality.  
Print Zebra.



HEALTHCARE

MANUFACTURING

RETAIL



TRANSPORTATION  
AND LOGISTICS



# Why Legible, Easy-to-Scan Supplies Matter

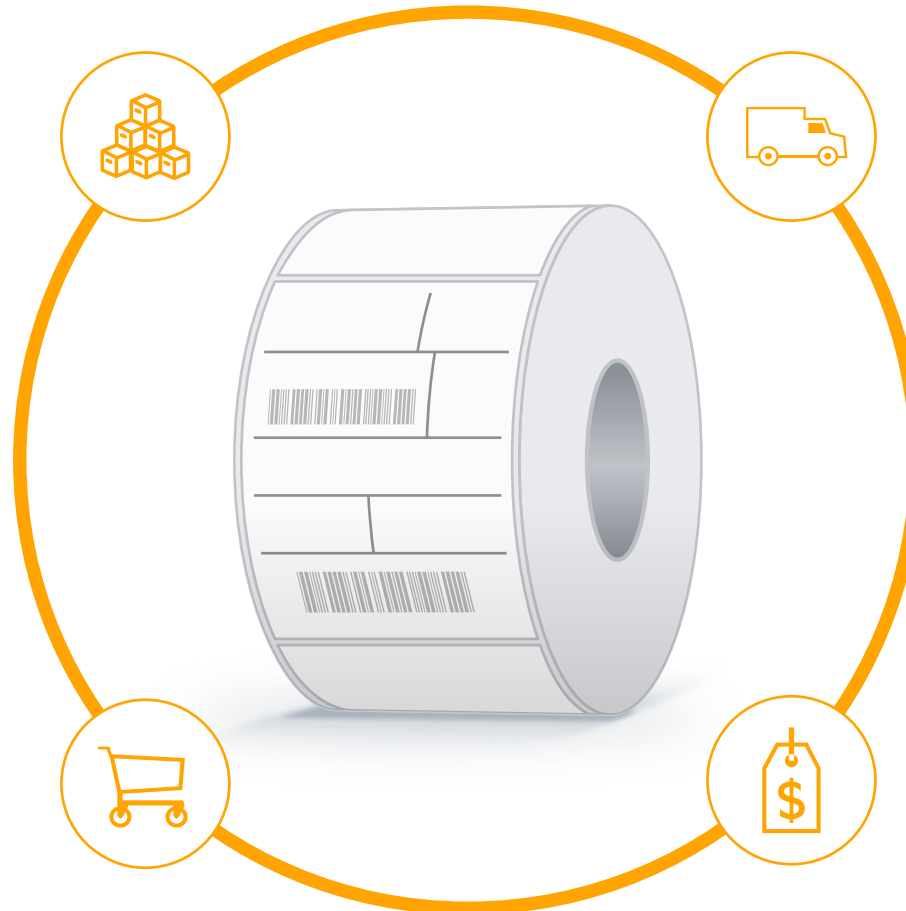
## Stockroom:

- Help improve inventory accuracy for fewer out of stocks and overstocks



## Distribution Center/ Courier:

- Minimize shipment and sorting errors
- Support on-time deliveries



## Retailer:

- Lower supply and printer service costs
- Improve productivity and efficiency
- Increase pricing compliance



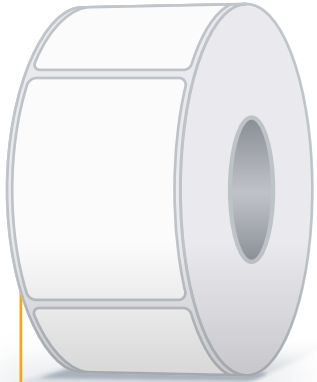
## Sales Floor:

- Reduce risk of interrupting checkouts
- Expedite pricing updates
- Attract shoppers with markdowns visible from a distance
- Reinforce store brand with customized supplies
- Minimize IT troubleshooting
- Increases efficiency with first-time, every-time scanning





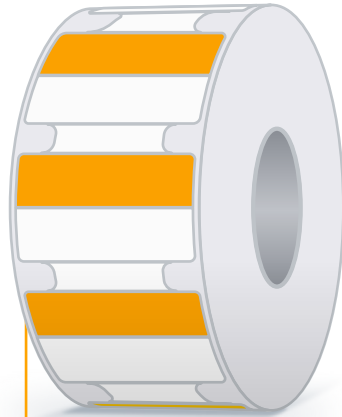
# Zebra Retail Supplies at a Glance



## Price/Product

- Z-Perform™ 1000D 5.3 mil Tag
- IQ Color 2000D
- Z-Perform 2000D

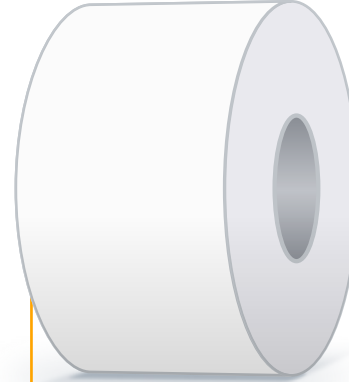
PAGES 28-30



## Price/Shelf

- BoingTech BT793 RFID Inlay
- PolyPro 4000D
- Z-Perform 1000D Shelf Tags
- Z-Perform 1000D 5.3 Markdown Price Tags

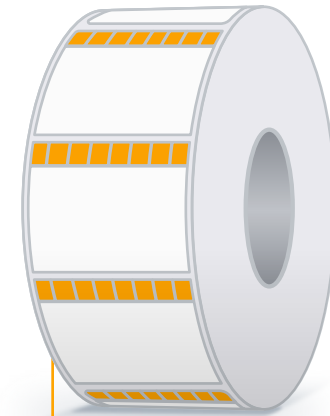
PAGES 31-34



## Mobile Point of Sale

- Z-Perform 1000D Receipt with Backprinting

PAGE 35



## Distribution

- IQ Color 2000D
- Z-Slip

PAGES 36-37



# Z-Perform™ 1000D 5.3mil Tag

## Hang Tag



### Application:

- Price tag for consumer product



### Challenges:

- **Customer Dissatisfaction:** Shoppers are not pleased when products are not priced
- **Brand Consistency:** Reinforce your store brand consistently on all products
- **Lack of Information:** Products are sometimes missing key information (size, price, etc.) that influences shoppers
- **Tag Quality:** Tags that are illegible for consumers and barcode readers cause problems



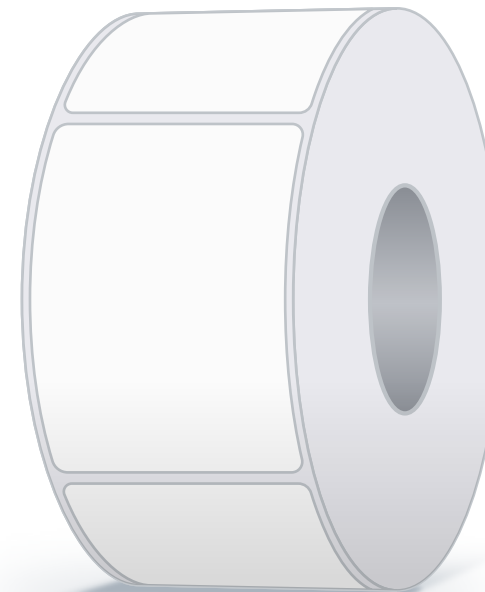
### How Zebra Adds Value:

- **Branded:** Represent your brand in a positive light with customized, direct thermal hang tags
- **Customized:** Choose from precise PMS color matching and coverage/bleed options



### Key Features:

- Pretested with Zebra printers to ensure quality, consistency and scanning reliability
- Customization options including tag size and color matching to support your brand image
- Compatible with Zebra desktop, industrial and most mobile printers



# IQ Color 2000D

## Markdown Label



### Application:

- Indicate discount by using color on demand
- One supply to support multi-color discount strategy



### Challenges:

- **Time Consuming:** Manual pricing is time-intensive and hard to keep current
- **Errors:** Price inaccuracy leads to customer dissatisfaction and inventory issues



### How Zebra Adds Value:

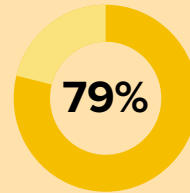
- **Rapid Price Change:** Automate color-coding and price markdowns, using a single label, in support of your pricing strategy
- **Eye-Catching:** Get shoppers' attention with color, using one supply for multiple colors
- **Reduces Inventory:** No need to stock multiple colors of labels for repricing and markdowns
- **Accurate:** Dramatically increase pricing accuracy



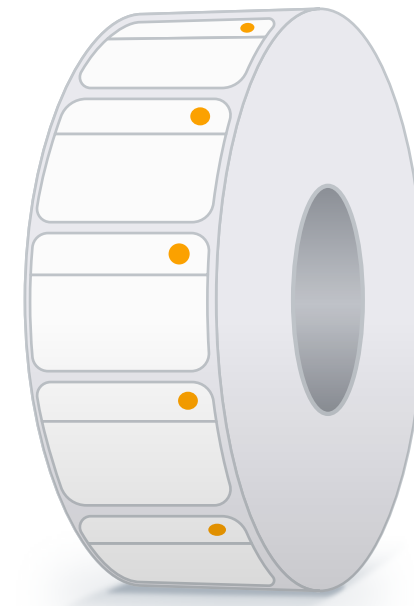
### Key Features:

- Innovative IQ Color uses invisible, direct thermal ink technology
- The printhead's heat activates the invisible ink, allowing you to select the colors you want to make visible
- Zebra customizes this solution to allow color placement where you need it
- Can print text, reverse images, shapes and logos in color
- Compatible with all Zebra desktop, industrial and mobile printers

### Use Case— Retailer



decrease  
in the average  
markdown  
time per unit



# Z-Perform™ 2000D

## Markdown Label



### Application:

- Direct thermal label for highlighting price markdown placed on a shelf, tag or item



### Challenges:

- **Turnover:** Inventory that is slow to sell needs to be quickly reduced and promoted
- **Awareness:** Consumers need awareness of price markdown—even from a distance
- **Legibility:** Label must be legible for consumers and barcode readers
- **Fraud:** A self-destructive label deters shoppers switching prices on products



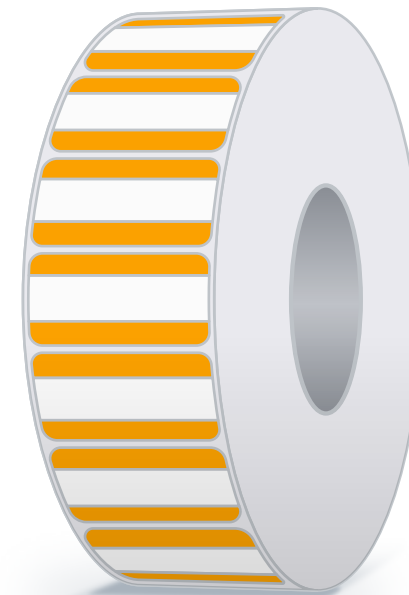
### How Zebra Adds Value:

- **Customizable:** Create a custom clearance label to support price management strategy
- **Supports Your Brand:** Precise PMS color matching and coverage/ bleed options available
- **Secure:** Custom design security slits to cause it to tear when removed
- **Flexible:** Choose from a wide range of paper and synthetic label materials to meet your needs



### Key Features:

- Pretested with Zebra printers to ensure quality, consistency and readability
- Customization options (tag size, color matching and slits) for your budget and brand
- Compatible with Zebra desktop, industrial and most mobile printers



# BoingTech™ BT793

## RFID Inlay



### Application:

- Well suited for retail item level tracking applications, but can be utilized in a wide range of applications outside retail



### Challenges:

- **Read Range:** These applications require longer distance readings at a fast pace
- **Performance:** Inlays need to perform well with the printer and the readers to avoid data errors



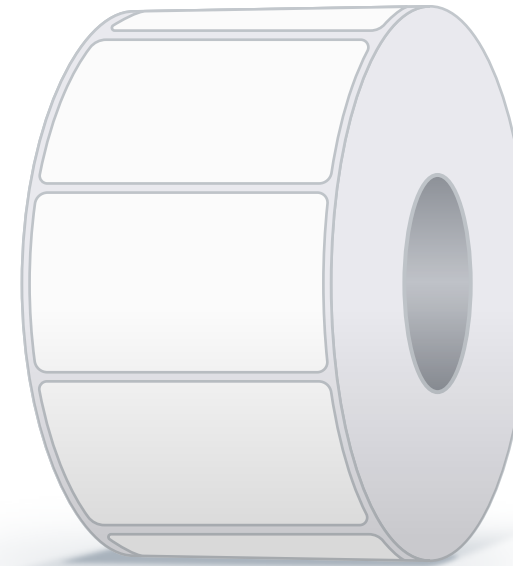
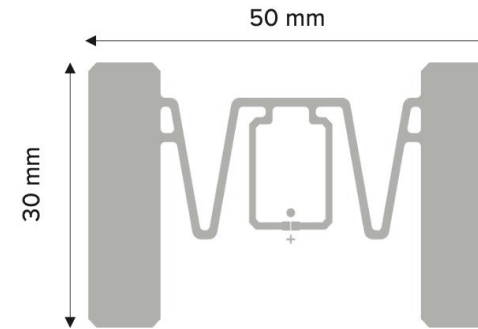
### How Zebra Adds Value:

- **Error Prevention:** High read ranges help minimize errors in asset-related data
- **Real-Time Visibility:** Helps track, identify and maximize asset utilization
- **Proven Performance:** ARC Quality certified BoingTech BT793 inlays are designed and tested for optimal performance with Zebra printers and RFID readers



### Key Features:

- Meets Auburn ARC specifications
- Read range of up to 20 meters



# PolyPro 4000D

## Shelf Label



### Application:

- Direct thermal shelf price label to communicate price to consumers



### Challenges:

- **Customer Dissatisfaction:** Shoppers are not pleased when items are not priced
- **Brand Consistency:** Reinforce your store brand consistently on all products
- **Lack of Information:** Products are sometimes missing key information (size, price, etc.) that influences shoppers
- **Label Quality:** Labels that are illegible for consumers and barcode readers cause problems



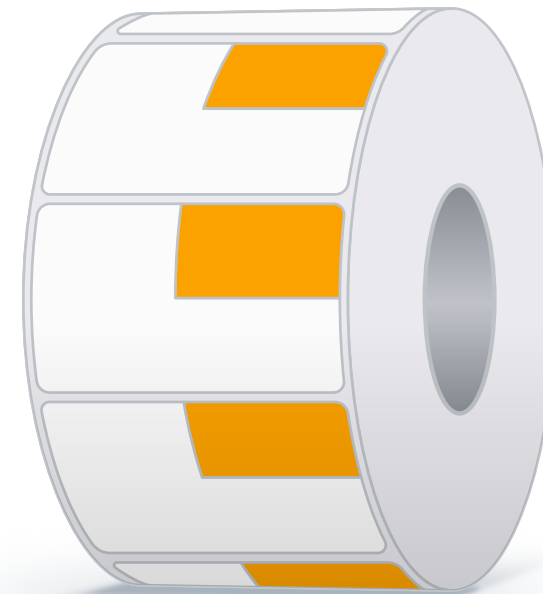
### How Zebra Adds Value:

- **Customizable:** Create a custom label to support price management strategy
- **Supports Your Brand:** Precise PMS color matching and coverage/bleed options available with customized, direct thermal labels
- **Flexible:** Choose from a wide range of paper and synthetic label materials to meet your needs



### Key Features:

- Ease of removal makes this a good choice for displays where pricing or products are changed frequently
- Pretested with Zebra printers to ensure quality, consistency and scanning reliability
- Customization options including tag size and color matching to support your brand image
- Compatible with Zebra desktop, industrial and most mobile printers





# Z-Perform™ 1000D 5.3 mil Tag

## Shelf Tags



### Application:

- Direct thermal shelf price tag to communicate price to consumers



### Challenges:

- **Customer Dissatisfaction:** Shoppers are not pleased when items are not priced
- **Brand Consistency:** Reinforce your store brand consistently on all products
- **Lack of Information:** Products are sometimes missing key information (size, price, etc.) that influences shoppers
- **Tag Quality:** Tags that are illegible for consumers and barcode readers cause problems



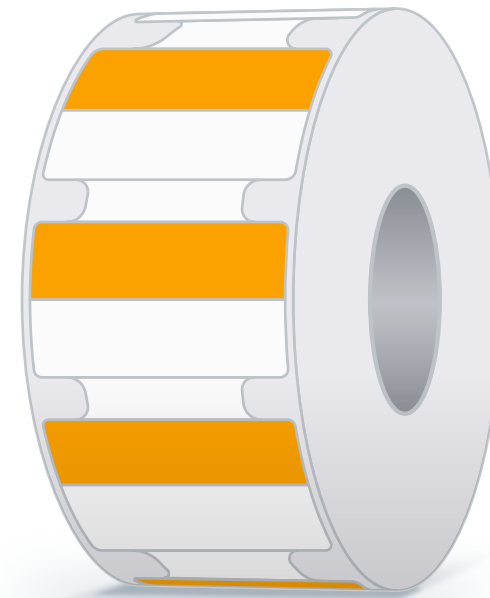
### How Zebra Adds Value:

- **Customizable:** Create a custom label to support price management strategy
- **Supports Your Brand:** Precise PMS color matching and coverage/bleed options available with customized, direct thermal tags



### Key Features:

- Pretested with Zebra printers to ensure quality, consistency and scanning reliability
- Customization options including tag size and color matching to support your brand image
- Compatible with Zebra desktop, industrial and most mobile printers



# Z-Perform™ 1000D 5.3 mil Tag

## Markdown Price Tag



### Application:

- Direct thermal tag to highlight price markdown from a distance



### Challenges:

- **Turnover:** Inventory that is slow to sell needs to be quickly reduced and promoted
- **Awareness:** Consumers need awareness of price markdown—even from a distance
- **Legibility:** Tags must be legible for consumers and barcode readers



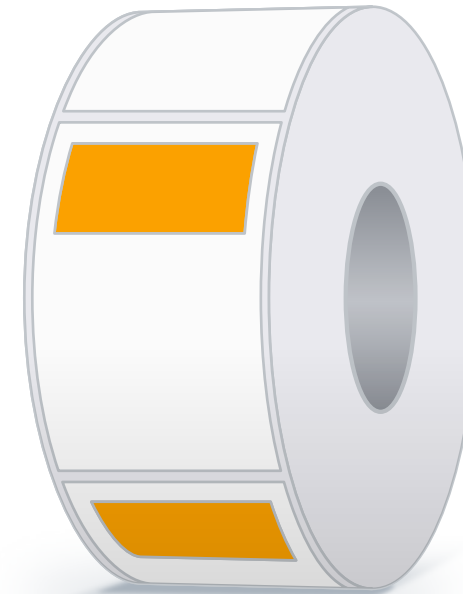
### How Zebra Adds Value:

- **Branded:** Represent your brand in a positive light with customized, direct thermal tags
- **Customized:** Choose from precise PMS color matching and coverage/bleed options available
- **Awareness:** Customize color to highlight items on sale



### Key Features:

- Pretested with Zebra printers to ensure quality, consistency and scanning reliability
- Customization options including tag size and color matching to support your brand image
- Compatible with Zebra desktop, industrial and most mobile printers



# Z-Perform™ 1000D

## Receipt with Backprinting



### Application:

- Direct thermal mobile printer receipt to provide customer proof of purchase



### Challenges:

- **Validate Purchase:** Need to provide shoppers a receipt
- **Promote Brand:** Easily identifiable
- **Inform:** Communicate important information to customers



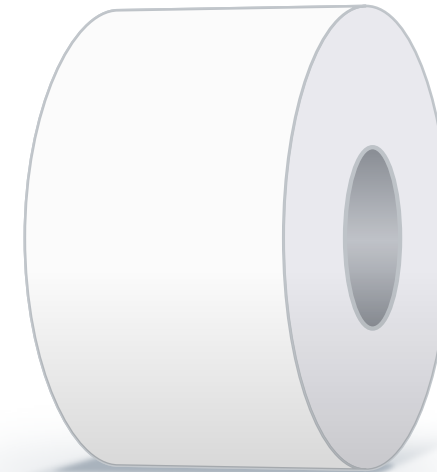
### How Zebra Adds Value:

- **Choice:** Meet your business objectives with our 2.4 and 3.5 mil receipts
- **Support Your Brand:** Place your logo, watermark and colors
- **Backprinting Options:** Convey important information such as your return policy



### Key Features:

- Pretested with Zebra printers to ensure quality printing and long-lasting image
- Customize with pre-printed logo, watermark and text, which allows you to support your brand image and relay customer information
- Compatible with Zebra desktop, industrial and mobile printers



# IQ Color 2000D

## Color Cross-Docking Label



### Application:

- Color cross-docking labels for regional distribution centers that serve multiple stores or locations



### Challenges:

- **Hard to Sort:** Unless packages on conveyor system are accurately read and sorted, they may end up at the wrong store or location
- **Hard to Read:** Labels in black are easily misread
- **Hard to ID:** Once a package is on the wrong skid, it is difficult to identify



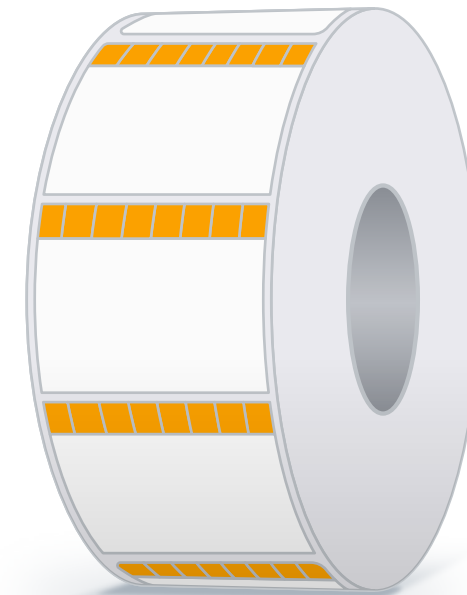
### How Zebra Adds Value:

- **Accuracy:** Avoid shipment and sortation mistakes by using color on the label to identify each skid
- **Faster:** Reduce sortation time and simplify employee training
- **Quick Correction:** With color, you can easily spot packages placed on wrong skid
- **Increase Profits:** Even a 1% improvement can save the company thousands of dollars



### Key Features:

- Innovative IQ Color uses invisible, direct thermal ink technology
- The printhead's heat activates the invisible ink, allowing you to select the colors you want to make visible
- Zebra customizes this solution to allow color placement where you need it
- Can print text, reverse images, shapes and logos in color
- Compatible with all Zebra desktop, industrial and mobile printers



# Z-Slip

## Packing Slip



### Application:

- Packing slip



### Challenges:

- **Time-Consuming:** A conventional packing list has to be folded three times, inserted into an envelope and adhered to the package
- **Inconvenient:** A packing list inside the box forces customers to search for it



### How Zebra Adds Value:

- **Innovative:** A cutting-edge solution from Zebra
- **Fast:** Use of Z-Slip slashes 29 seconds from the process
- **Convenient:** The packing list is outside, where it's visible
- **Positive:** Provides a positive brand experience for the customer



### Key Features:

- All-in-one packing slip solution
- Easy—print, peel and apply
- Format built into SAP Smart Forms for ease of integration with SAP
- Pretested with Zebra printers to ensure quality printing
- Compatible with Zebra industrial printers

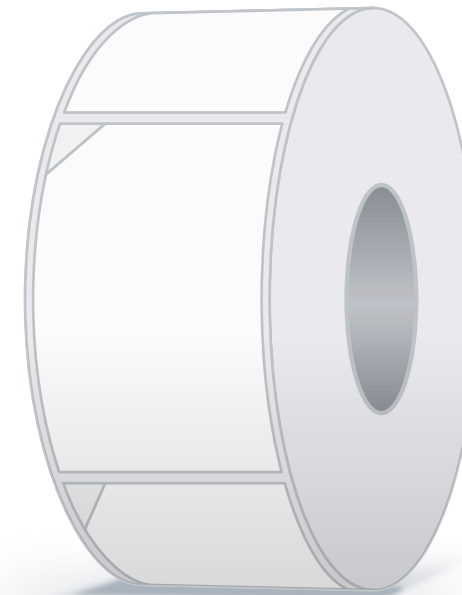
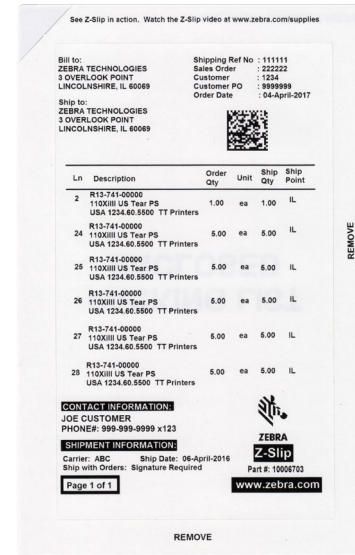
### Time to add Packing Slip



Conventional  
label 40 sec

**Z-Slip**  
11 sec

At 1,000  
packages/day  
= **2,000 hrs.**  
**saved/year**



HEALTHCARE

MANUFACTURING

RETAIL



TRANSPORTATION  
AND LOGISTICS



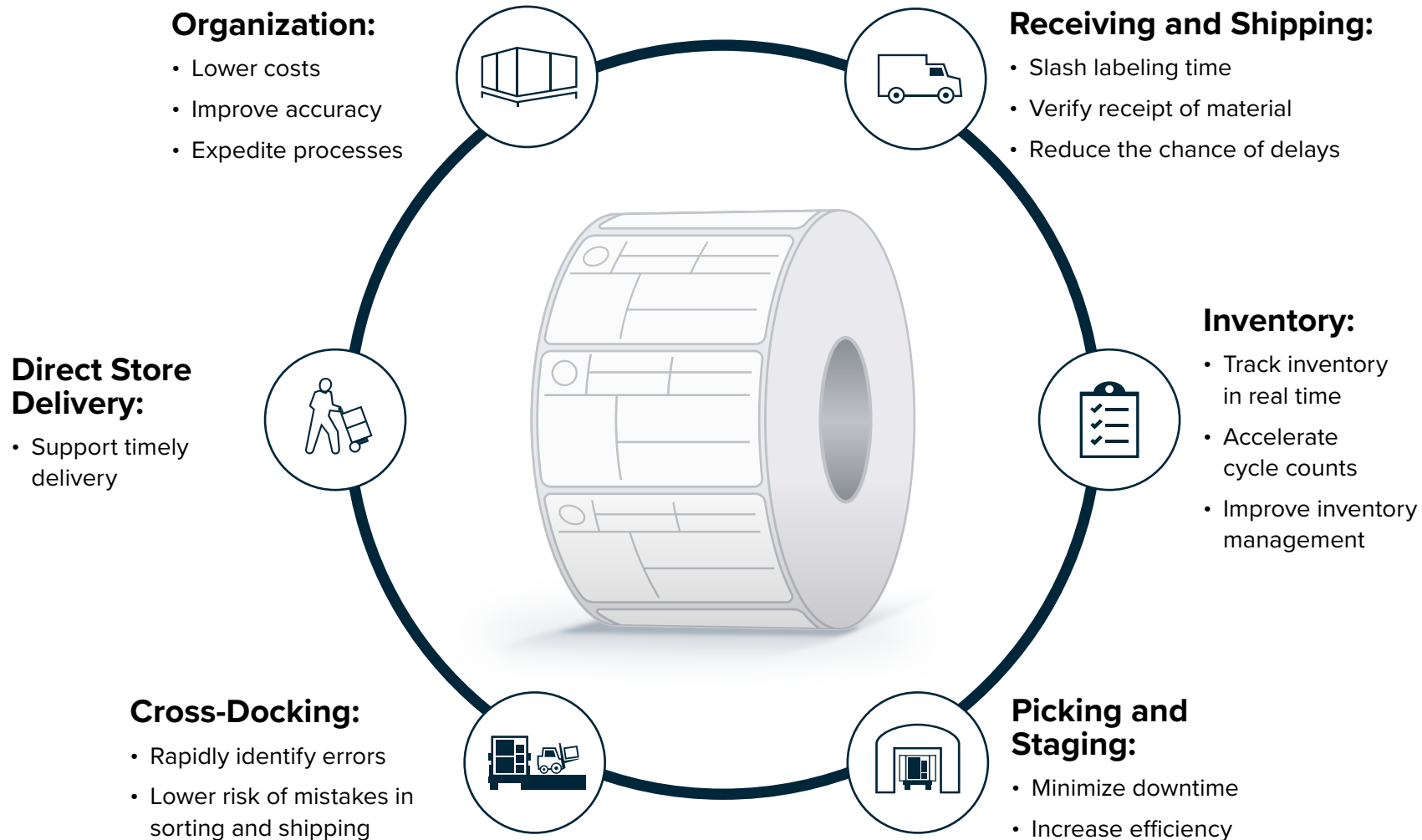
# Key Zebra Certified Supplies for Transportation and Logistics

Print Confident.  
Print Quality.  
Print Zebra.



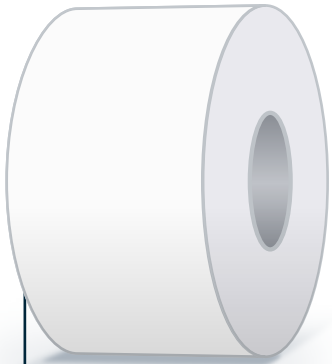


# Why Legible, Easy-to-Scan Supplies Matter





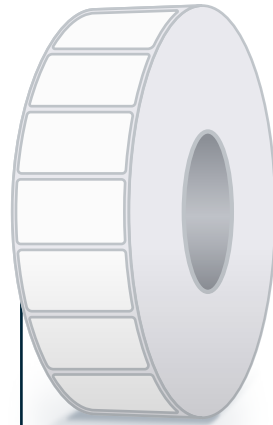
# Zebra Transportation and Logistics Supplies at a Glance



## Shipping/Receiving

- Z-Slip
- Z-Perform 1000D Receipt
- IQ Color 2000D

PAGES 41-43



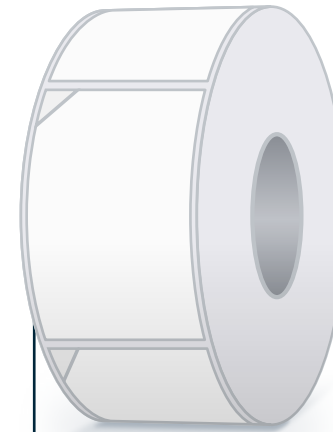
## Inventory Management

- ThermaLock™ 4100D

### RFID

- ZBR2100 Inlay

PAGES 44-45



## Cross-Docking

- IQ Color 2000D

PAGE 46





# Z-Slip

## Packing Slip



### Application:

- Packing slip



### Challenges:

- **Time-Consuming:** A conventional packing list has to be folded three times, inserted into an envelope and adhered to the package
- **Inconvenient:** A packing list inside the box forces customers to search for it



### How Zebra Adds Value:

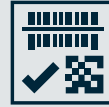
- **Innovative:** A cutting-edge solution from Zebra
- **Fast:** Use of Z-Slip slashes 29 seconds from the process
- **Convenient:** The packing list is outside, where it's visible
- **Positive:** Provides a positive brand experience for the customer



### Key Features:

- All-in-one packing slip solution
- Easy—print, peel and apply
- Format built into SAP Smart Forms for ease of integration with SAP
- Pretested with Zebra printers to ensure quality printing
- Compatible with Zebra industrial printers

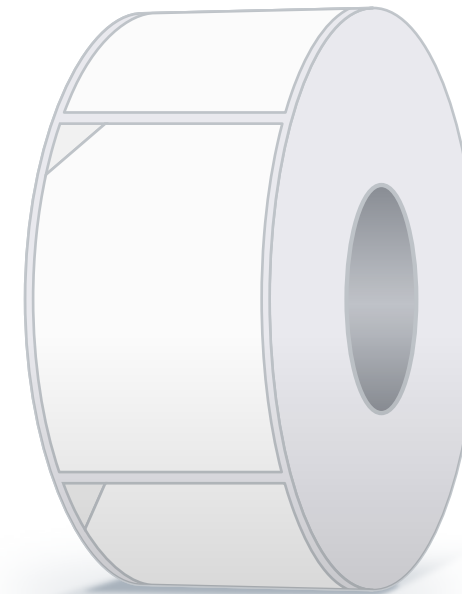
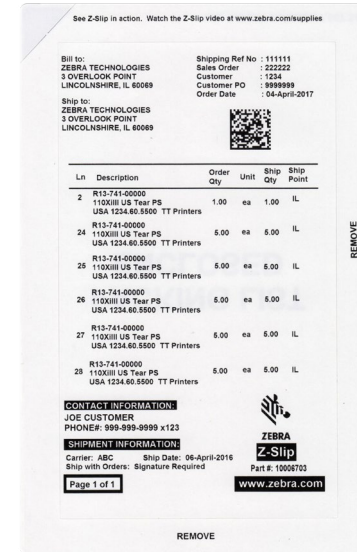
### Time to add Packing Slip



Conventional  
label 40 sec

**Z-Slip**  
11 sec

At 1,000  
packages/day  
= **2,000 hrs.**  
saved/year





# IQ Color 2000D Color Shipping Label

## Color Shipping Label



### Application:

- Shipping labels to highlight rush ship methods and ensure items get on the right truck



### Challenges:

- **Hard to Sort:** Unless packages on conveyor system are accurately read and sorted, they may end up at the wrong truck
- **Hard to Read:** Labels in black are easily misread when identified by a number
- **Hard to ID:** Once a package is on the wrong truck, it is difficult to identify



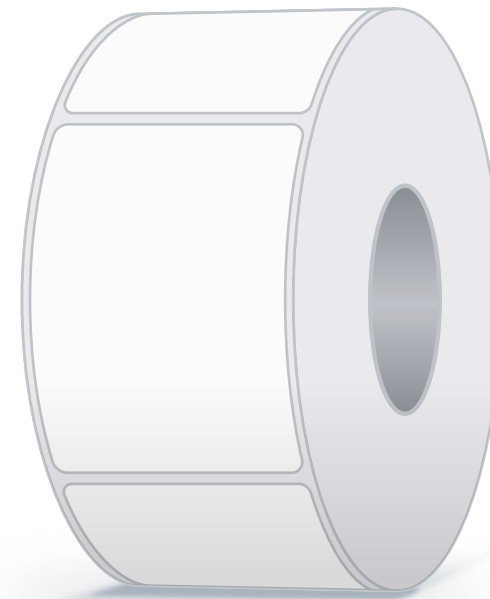
### How Zebra Adds Value:

- **Accuracy:** Avoid shipment and sortation mistakes by using color on the label to identify each package
- **Faster:** Reduce sortation time
- **Quick Correction:** With color, you can easily spot packages placed on wrong truck
- **Increase Profits:** Even a 1% improvement can save the company thousands of dollars



### Key Features:

- Innovative IQ Color uses invisible, direct thermal ink technology
- The printhead's heat activates the invisible ink, allowing you to select the colors you want to make visible
- Can print text, reverse images, shapes and logos in color
- Zebra customizes this solution to allow color placement where you need it
- Compatible with all Zebra desktop, industrial and mobile printers



# Thermalock™ 4100D

## Indoor and Outdoor Labels



### Application:

- Ideal for shipping containers in a port, inventory in outdoor areas, work-in-process in a manufacturing plant, vehicles in an outdoor auction yard and more



### Challenges:

- **Long-Lasting, Durable Images:** Labels need to be resistant to fluorescent lights and challenging indoor and outdoor conditions
- **Performance:** No-fade and smudge-free label performance is required in any condition



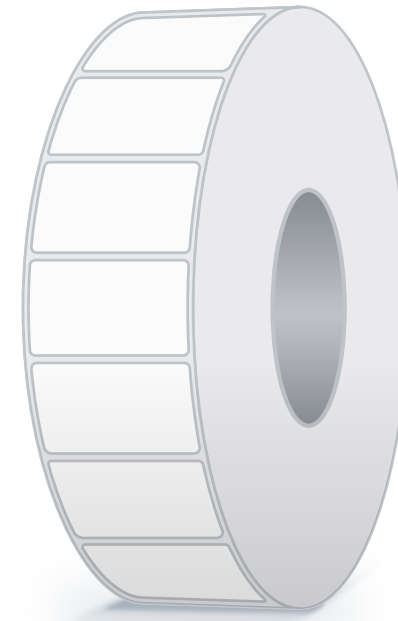
### How Zebra Adds Value:

- **Easier to Print:** Direct thermal alternative solution simplifies printing, no ribbon required
- **Durability:** Our unique, durable solution does not fade
- **Longevity:** Durable image remains readable when exposed to fluorescent lights
- **Cost-effective:** Lower cost alternative to traditional synthetic direct thermal and thermal transfer label materials



### Key Features:

- Unique print technology produces an image that will last up to a year in the most demanding conditions
- Designed to withstand temperatures as low as -65°F (-54°C) and up to 248°F (120°C) as well as exposure to sunlight, a wide range of chemicals, moisture and more
- Optimized to be read from nearly any angle
- Compatible with Zebra desktop, industrial and mobile printers



# ZBR2100

## RFID Inlay



### Application:

- Manufacturing, T&L, and other industries' applications that require high read ranges



### Challenges:

- **Read Range:** These applications require readings from different angles and at a considerable distance
- **Performance:** Inlays need to perform well with the printer and the readers to avoid data errors



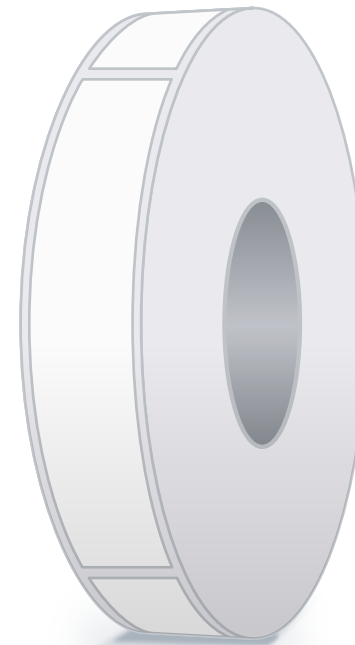
### How Zebra Adds Value:

- **Error Prevention:** High read ranges help minimize errors in asset-related data
- **Real-Time Visibility:** Helps track, identify and maximize asset utilization
- **Proven Performance:** ZBR2100 inlays are designed and tested for optimal performance with Zebra printers and RFID readers



### Key Features:

- Extreme high-sensitivity UCODE 9 chipset (EPC-96-bit, user N/A)
- Read range of up to 20 meters in free space
- Optimized to be read from nearly any angle



# IQ Color 2000D Color Cross- Docking Label

## Color Cross-Docking Label



### Application:

- Cross-docking labels for regional distribution centers that serve multiple stores or locations



### Challenges:

- **Hard to Sort:** Unless packages on conveyor system are accurately read and sorted, they may end up at the wrong store or location
- **Hard to Read:** Labels in black are easily misread
- **Hard to ID:** Once a package is on the wrong skid, it is difficult to identify



### How Zebra Adds Value:

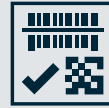
- **Accuracy:** Avoid shipment and sortation mistakes by using color on the label to identify each skid
- **Faster:** Reduce sortation time and simplify employee training
- **Quick Correction:** With color, you can easily spot packages placed on wrong skid
- **Increase Profits:** Even a 1% improvement can save the company thousands of dollars



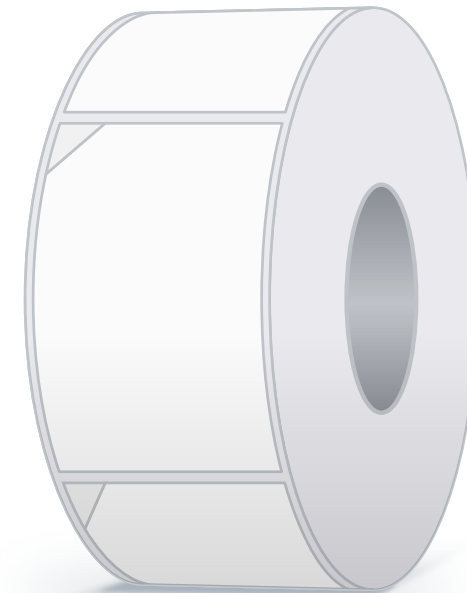
### Key Features:

- Zebra customizes this solution to allow color placement where you need it
- Innovative IQ Color uses invisible, direct thermal ink technology
- The printhead's heat activates the invisible ink, allowing you to select the colors you want to make visible
- Can print text, reverse images, shapes and logos in color
- Compatible with all Zebra desktop, industrial and mobile printers

One  
satisfied  
customer



Just  
1 label  
across  
5 DCs  
= 400K  
in annual  
repeatable  
revenue



HEALTHCARE

MANUFACTURING

RETAIL

TRANSPORTATION  
AND LOGISTICS

